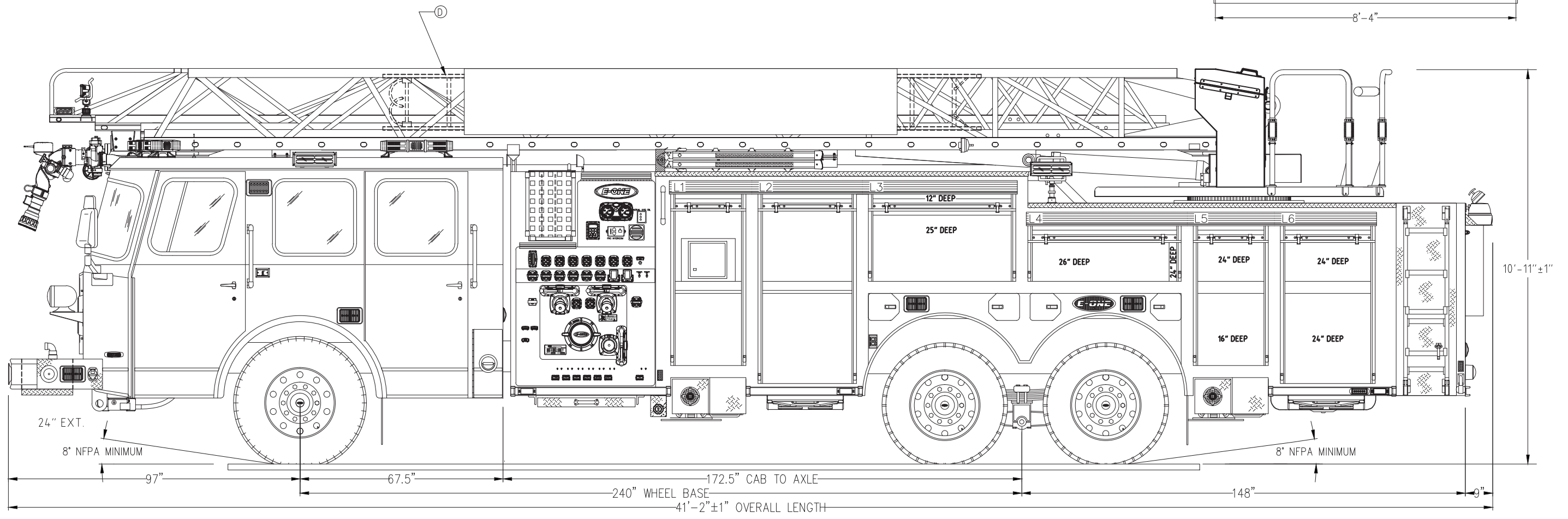
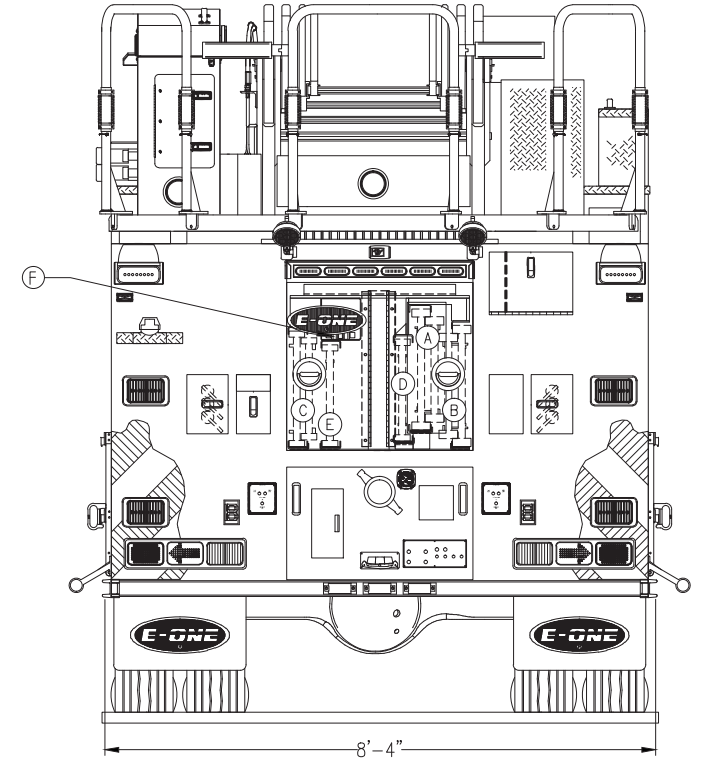


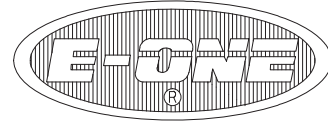
WESTVILLE FIRE DISTRICT 1
WESTVILLE, NJ
SO.139644 / q62363
AERIAL BODY
E-ONE CYCLONE II X LONG CAB 6X4 CHASSIS
LTH100 AERIAL LADDER

THIS DRAWING IS FOR REFERENCE PURPOSES. ALL DIMENSIONS ARE SUBJECT TO MINOR VARIATIONS DUE TO MANUFACTURING PROCESSES.

DEALER APPROVAL _____ DATE _____ AS IS
 CUSTOMER APPROVAL _____ DATE _____ WITH REVISIONS



DB	B	RF	2015-MAY-11	BMASON
KMARQUES	A	INITIAL RELEASE	2015-MAR-27	BMASON
DRAWN BY	REV	DESCRIPTION	DATE	APPROVED
		APPROVAL REVISIONS		SHEET 1 OF 2



WESTVILLE FIRE DISTRICT 1
WESTVILLE, NJ
SO.139644 / q62363
AERIAL BODY
E-ONE CYCLONE II X LONG CAB 6X4 CHASSIS
LTH100 AERIAL LADDER

2000 GPM HALE QMAX PUMP 450 GALLON WATER TANK	HOSE LOAD: 500' OF 4.00" LDH
--	---------------------------------

COMPT.	OPENING		INTERIOR DIMENSION			
L1/R1	23W	51H	25W	23H	12D	UPPER
			25W	24H	16D	LOWER
L2/R2	30W	57H	32W	23H	12D	UPPER
			32W	30H	26D	LOWER
L3/R3	47W	23H	49W	23H	NOTED	
L4/R4	49W	14H	51W	22H	NOTED	
L5/R5	23W	41H	25W	13H	NOTED	UPPER
			25W	24H	NOTED	LOWER
L6/R6	29W	47H	31W	13H	NOTED	UPPER
			31W	30H	NOTED	LOWER

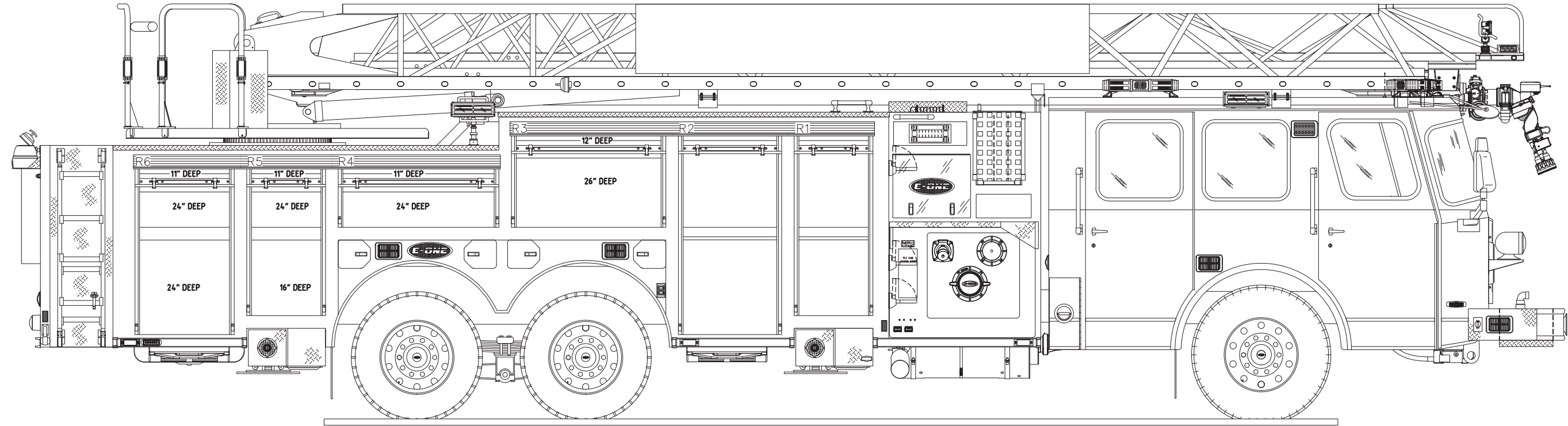
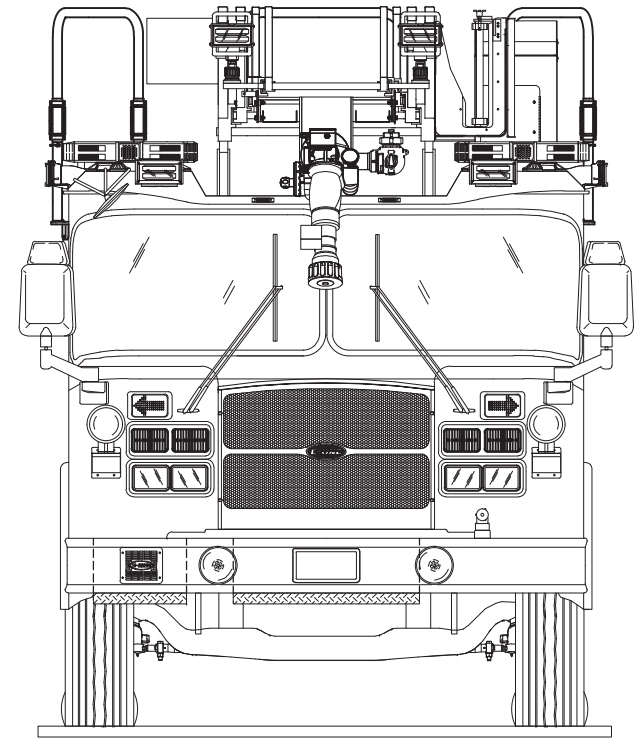
GROUND LADDERS			
ITEM	LADDER LENGTH	MODEL NUMBER	QTY
A	35' 2-SECT.	PEL-35	1
B	28' 2-SECT.	PEL-28	1
C	24' 2-SECT.	PEL-24	1
D	16' ROOF	PRL-16	2
E	14' ROOF	PRL-14	1
F	10' FOLDING	FL-10	1
G	LITTLE GIANT	MODEL 17	1

ONE ON AERIAL

THIS DRAWING IS FOR REFERENCE PURPOSES. ALL DIMENSIONS ARE SUBJECT TO MINOR VARIATIONS DUE TO MANUFACTURING PROCESSES.

DEALER APPROVAL _____ DATE _____ AS IS

CUSTOMER APPROVAL _____ DATE _____ WITH REVISIONS



D.B	B	RFC	2015-MAY-11	BMASON
KMARQUES	A	INITIAL RELEASE	2015-MAR-27	BMASON
DRAWN BY	REV	DESCRIPTION	DATE	APPROVED
APPROVAL REVISIONS				SHEET 2 OF 2