

TOWNSHIP OF SPRING FIRE AND RESCUE

WEST LAWN, PA.

S.O. 143063 / Q 91217

CUSTOM 36 RESCUE PUMPER

E-ONE TYPHOON 4X2 CHASSIS

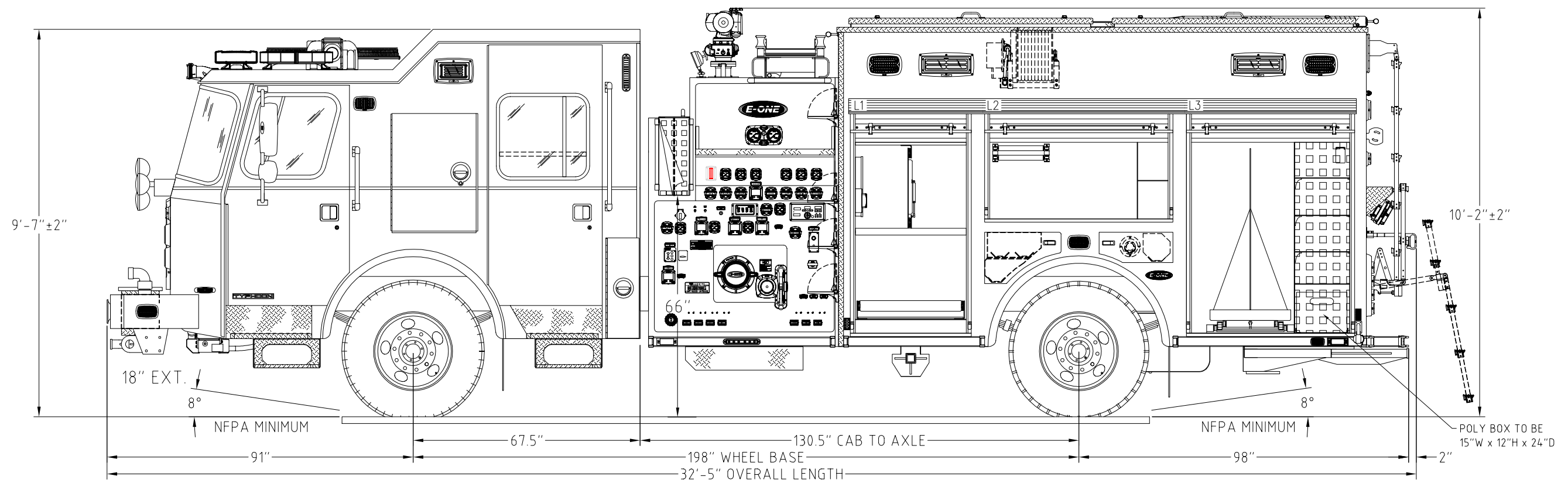
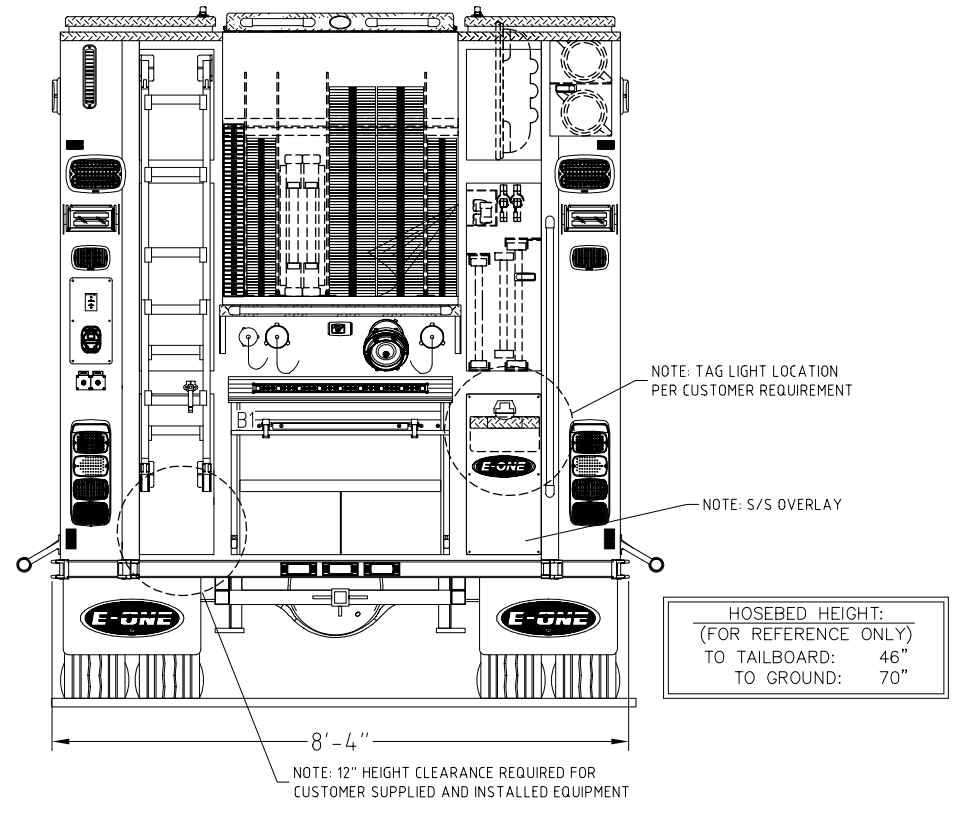
1500 GPM HALE QMAX PUMP 530 GALLON WATER	HOSE LOAD:	
	400' OF 2.00" DJ	
	300' OF 3.00" DJ	
	1000' OF 5.00" LDH	
	300' OF 3.00" DJ	

COMPT.	OPENING		INTERIOR DIMENSION		
L1	34W	59H	36W 3H 12D	UPPER	
			36W 56H 26D	LOWER	
L2	54W	25H	56W 3H 12D	UPPER	
			56W 22H 26D	LOWER	
L3	48W	59H	50W 3H 12D	UPPER	
			50W 56H 26D	LOWER	
R1	34W	59H	36W 25H 12D	UPPER	
			36W 30H 26D	LOWER	
R2	54W	25H	56W 25H 12D		
R3	48W	59H	50W 25H 12D	UPPER	
			50W 30H 26D	LOWER	
B1	36W	21H	38W 30H 27D		

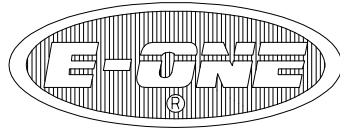
THIS DRAWING IS FOR REFERENCE PURPOSES. ALL DIMENSIONS ARE SUBJECT TO MINOR VARIATIONS DUE TO MANUFACTURING PROCESSES.

APPROVED FOR PRODUCTION

DESIGNER: KMARQUES DATE: 2019-MAR-21



KMARQUES	E	PIT TICKET	2019-NOV-01	KMARQUES
DRAWN BY	REV	DESCRIPTION	DATE	APPROVED
		APPROVAL REVISIONS		SHEET 1 OF 4

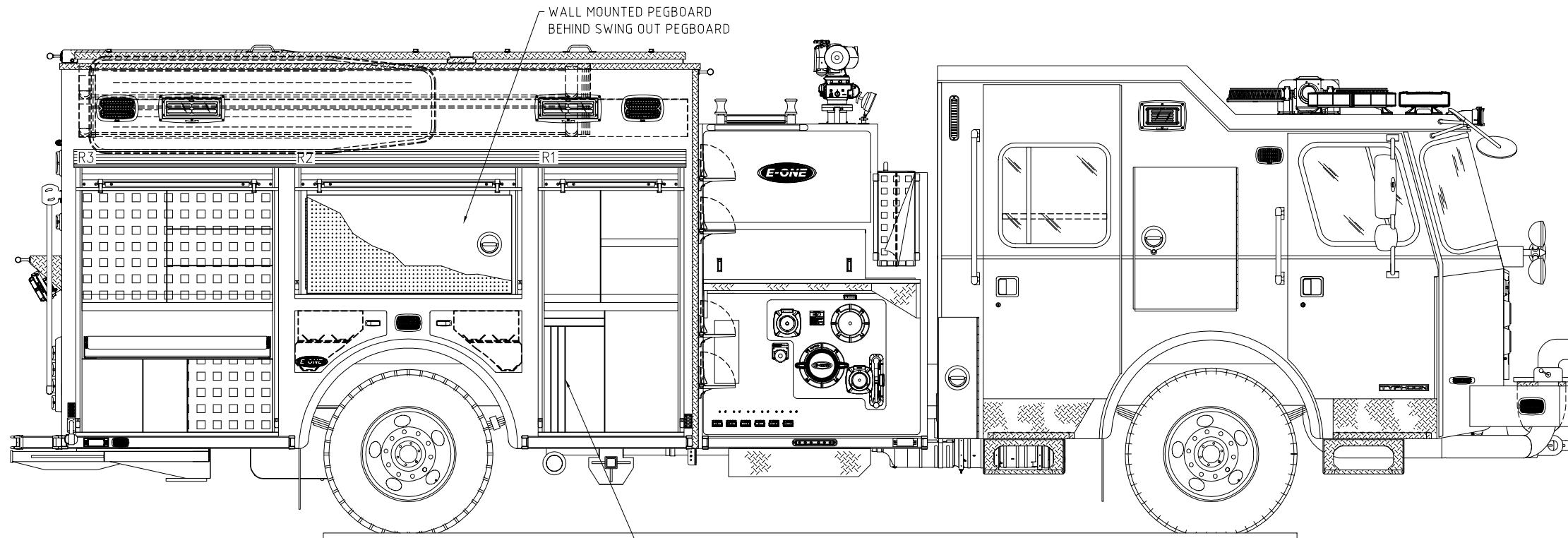
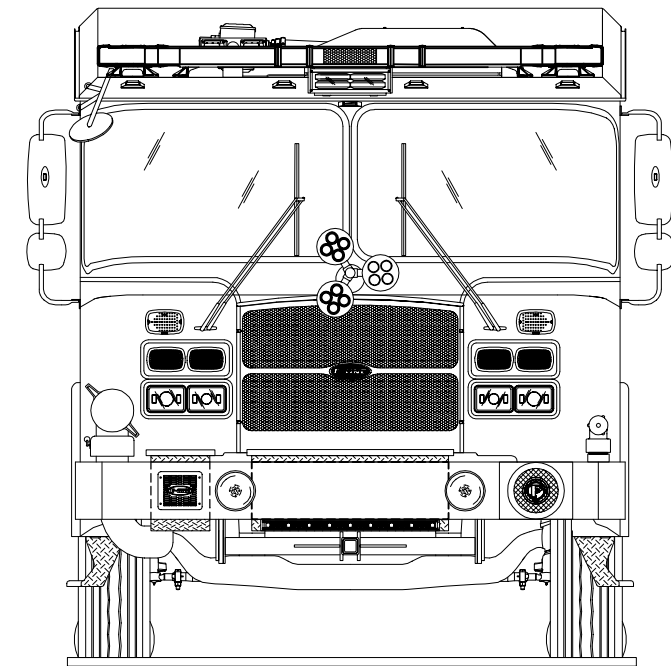


TOWNSHIP OF SPRING FIRE AND RESCUE
WEST LAWN, PA.
S.O. 143063 / Q 91217
CUSTOM 36 RESCUE PUMPER
E-ONE TYPHOON 4X2 CHASSIS

THIS DRAWING IS FOR REFERENCE PURPOSES. ALL DIMENSIONS ARE
 SUBJECT TO MINOR VARIATIONS DUE TO MANUFACTURING PROCESSES.

APPROVED FOR PRODUCTION

DESIGNER: KMARQUES DATE: 2019-MAR-21



WALL MOUNTED PEGBOARD
 BEHIND SWING OUT PEGBOARD

SEE SHELVES AND TRAYS
 DRAWING ON FILE FOR DETAILS

KMARQUES	E	PIT TICKET	2019-NOV-01	KMARQUES
DRAWN BY	REV	DESCRIPTION	DATE	APPROVED
		APPROVAL REVISIONS		SHEET 2 OF 4