

BOROUGH OF PEMBERTON PEMBERTON, N.J.

S.O. 141512 / QUOTE 82362

CUSTOM 50 RESCUE PUMPER E-ONE TYPHOON X LONG CAB 4X2 CHASSIS

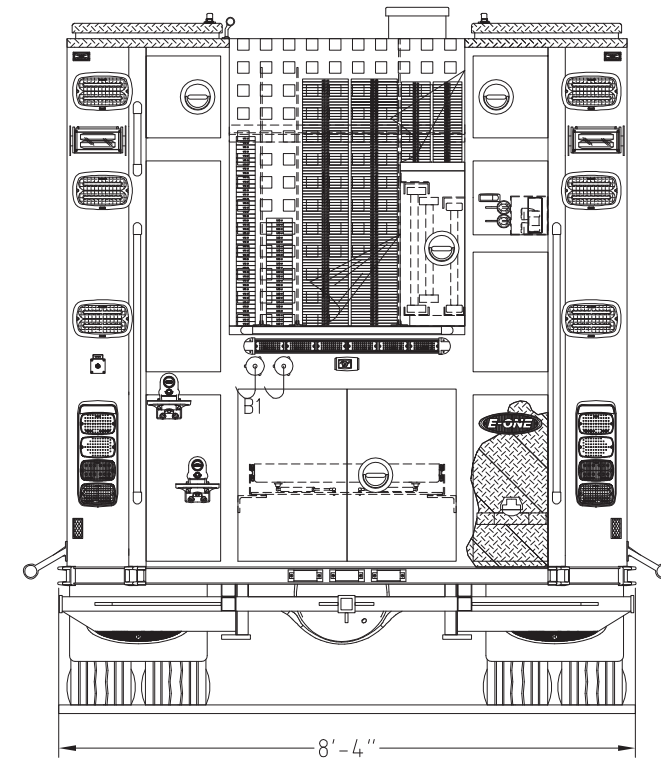
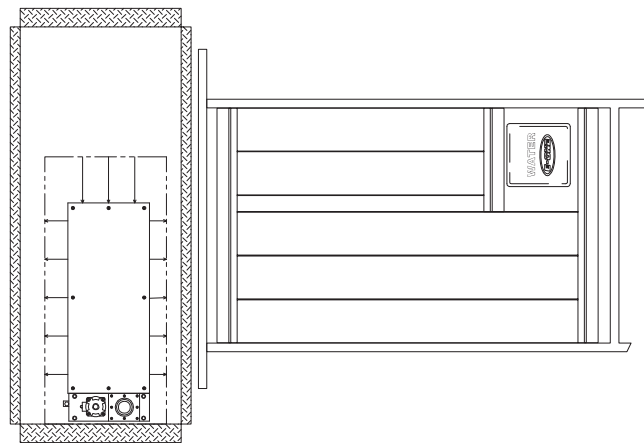
2000 GPM HALE QMAX PUMP 780 GALLON WATER	HOSE LOAD:	
	400'	OF 1.75" DJ
	200'	OF 2.50" DJ
	1000'	OF 5.00" LDH
	250'	OF 3.00" DJ

COMPT.	OPENING		INTERIOR DIMENSION			
L1/R1	50W	68H	50W	12H	12D	UPPER
			50W	56H	26D	LOWER
L2/R3	56W	34H	56W	12H	12D	UPPER
			56W	22H	26D	LOWER
L3/R3	56W	68H	56W	12H	12D	UPPER
			56W	56H	26D	LOWER
B1	38W	30H	38W	30H	27D	

THIS DRAWING IS FOR REFERENCE PURPOSES. ALL DIMENSIONS ARE SUBJECT TO MINOR VARIATIONS DUE TO MANUFACTURING PROCESSES.

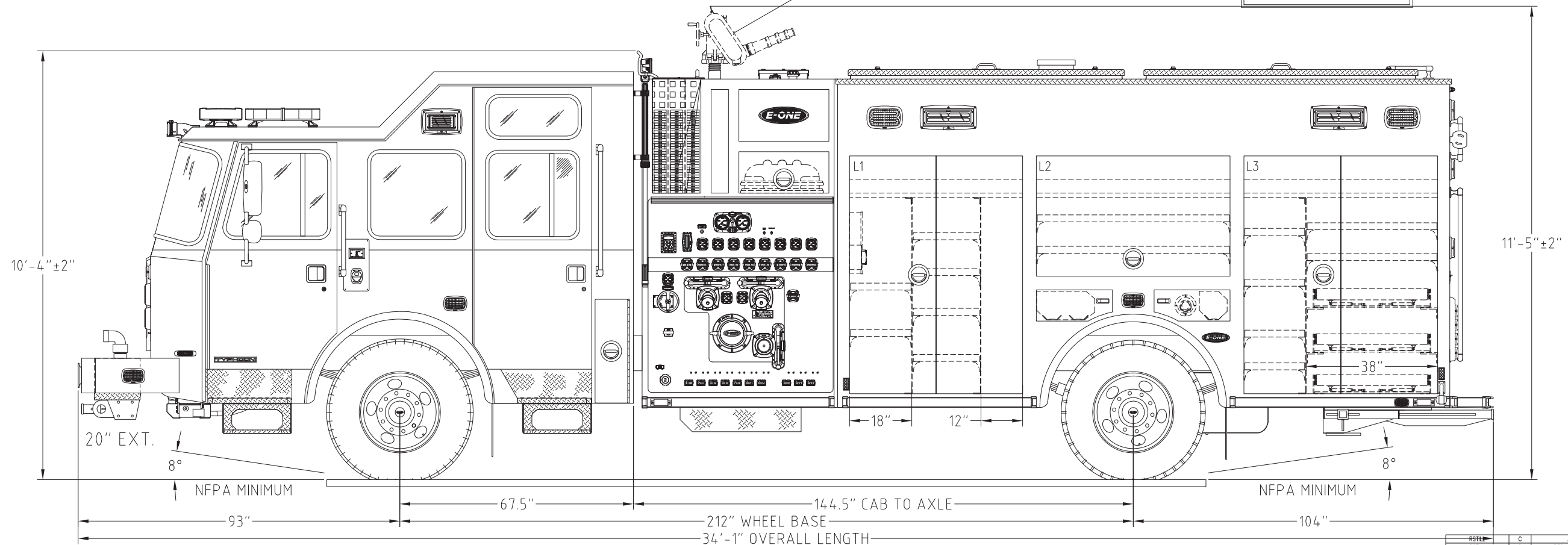
APPROVED FOR PRODUCTION

DESIGNER: _____ DATE: _____

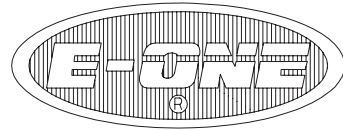


HOSEBED HEIGHT:
(FOR REFERENCE ONLY)
TO TAILBOARD: 42"
TO GROUND: 66"

CUSTOMER SUPPLIED AND
INSTALLED AKRON 3433 MONITOR



REV	DESCRIPTION	DATE	APPROVED
A	INITIAL RELEASE / ORDER SCRUB	2017-JUN-13	RS/LL
B	RFC / ORDER REVIEW 2	2017-JUL-14	RS/LL
C	ACTION ITEMS	2017-JUL-24	RS/LL

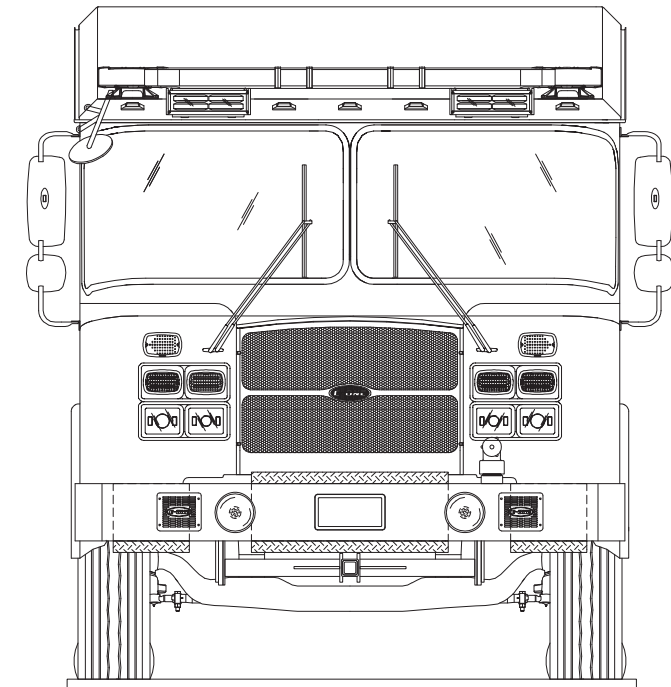


BOROUGH OF PEMBERTON
PEMBERTON, N.J.
S.O. 141512 / QUOTE 82362
CUSTOM 50 RESCUE PUMPER
E-ONE TYPHOON X LONG CAB 4X2 CHASSIS

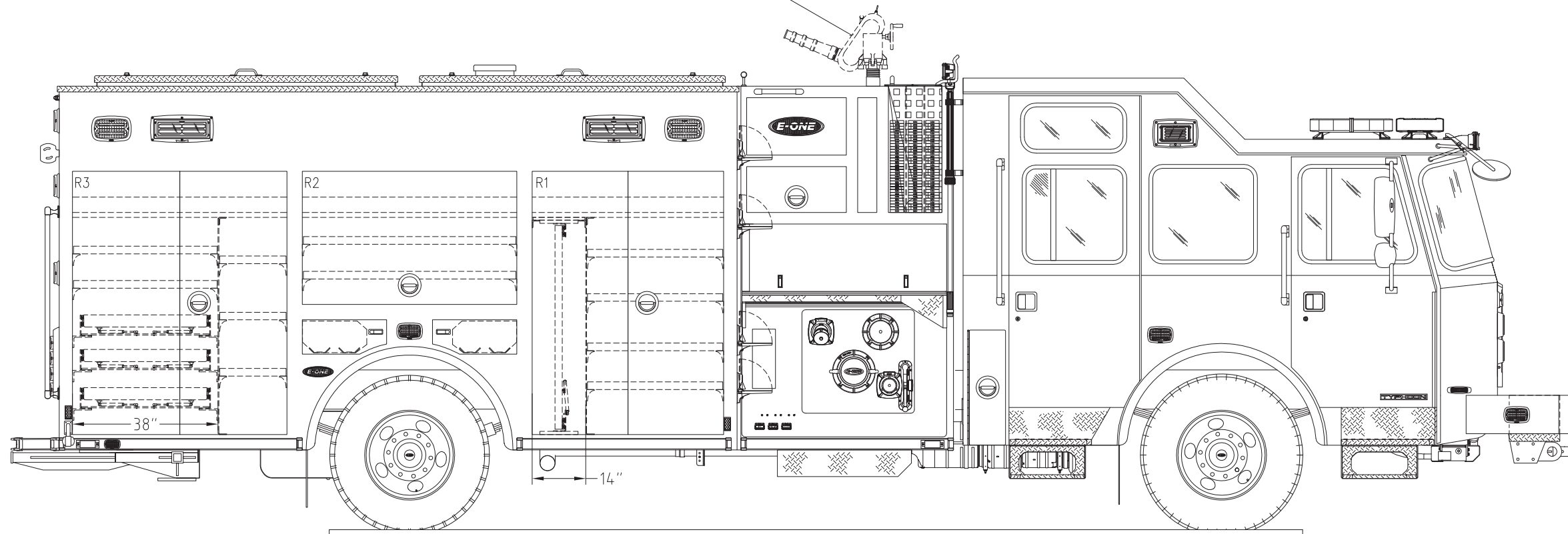
THIS DRAWING IS FOR REFERENCE PURPOSES. ALL DIMENSIONS ARE
 SUBJECT TO MINOR VARIATIONS DUE TO MANUFACTURING PROCESSES.

APPROVED FOR PRODUCTION

DESIGNER: _____ DATE: _____



CUSTOMER SUPPLIED AND
 INSTALLED AKRON 3433 MONITOR



KMARQUES	D	RFP	2017-AUG-03	AKELKAR
RSTLL	C	ACTION ITEMS	2017-JUL-24	RSTLL
RSTLL	B	RFC / ORDER REVIEW 2	2017-JUL-14	RSTLL
RSTLL	A	INITIAL RELEASE / ORDER SCRUB	2017-JUN-13	RSTLL
DRAWN BY	REV	DESCRIPTION	DATE	APPROVED
APPROVAL REVISIONS				SHEET 2 OF 2