

**OAKMONT FIRE CO. 1**  
**HAVERTOWN, PA**  
*Q76542*  
**AERIAL BODY**  
**CYCLONE II X LONG CHASSIS**  
**HP100 AERIAL LADDER**

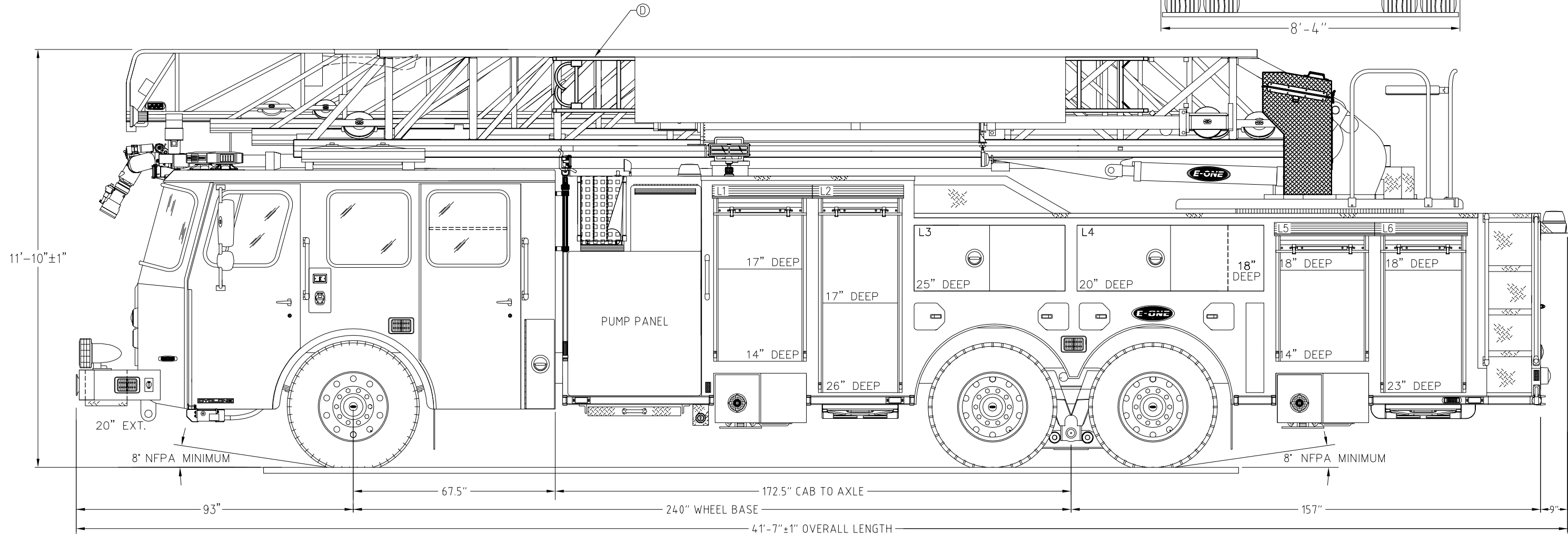
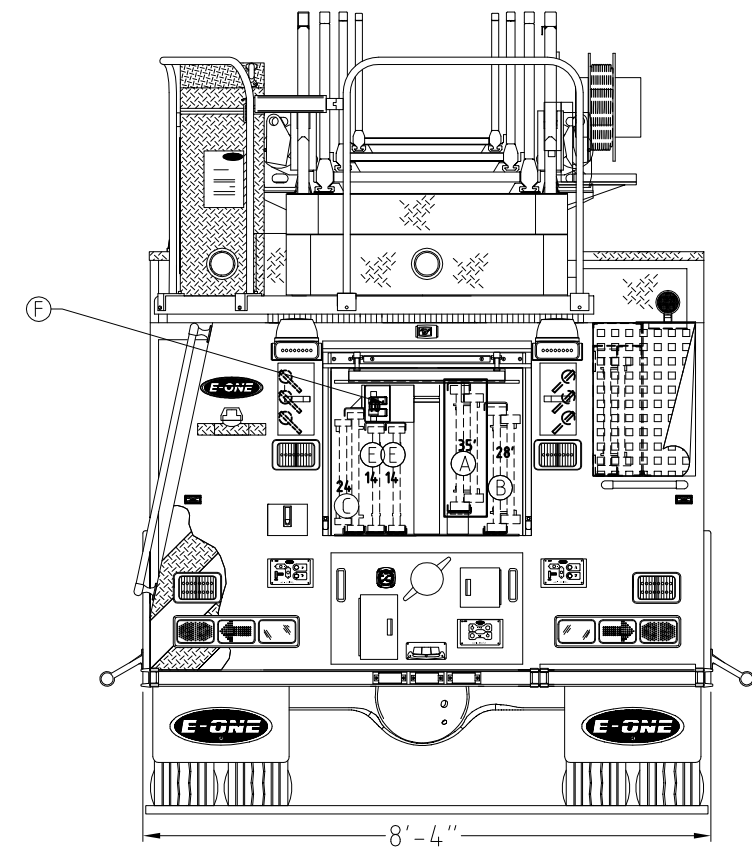
THIS DRAWING IS FOR REFERENCE PURPOSES. ALL DIMENSIONS ARE SUBJECT TO MINOR VARIATIONS DUE TO MANUFACTURING PROCESSES.

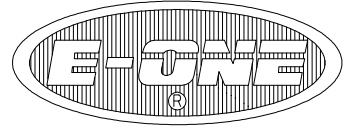
This print is the property of E-ONE, Inc. and is loaned to you subject to return on demand, unless otherwise agreed to in writing by E-ONE, Inc. Its contents are confidential and must not be copied or submitted to third parties for use or examination.

1500 GPM HALE QMAX PUMP 500 GALLON WATER TANK	HOSE LOAD: 1000' OF 5.00" LDH
--	----------------------------------

COMPT.	OPENING		INTERIOR DIMENSION			
L1	29W	49H	31W 31W	28H 31H	17D 14D	UPPER LOWER
R1	33W	22H	33W	22H	14D	
L2	26W	59H	28W 28W	38H 30H	17D 26D	UPPER LOWER
R2	28W	30H	28W	30H	26D	
L3	50W	22H	50W	22H	25D	
R3	31W	19H	31W	19H	14D	
L4	62W	22H	62W	22H	NOTED	
R4	49W	30H	49W	30H	23D	
L5	29W	37H	31W 31W	18H 29H	18D 14D	UPPER LOWER
L6	26W	47H	28W 28W	18H 39H	18D 23D	UPPER LOWER

GROUND LADDERS			
ITEM	LADDER LENGTH	MODEL NUMBER	QTY
A	PEL-35	35' 2-SECT	2
B	PEL-28	28' 2-SECT	1
C	PEL-24	24' 2-SECT	1
D	PRL-16	16' ROOF	1 ON AERIAL
E	PRL-14	14' ROOF	2
F	10' FOLDING	FL-10	1



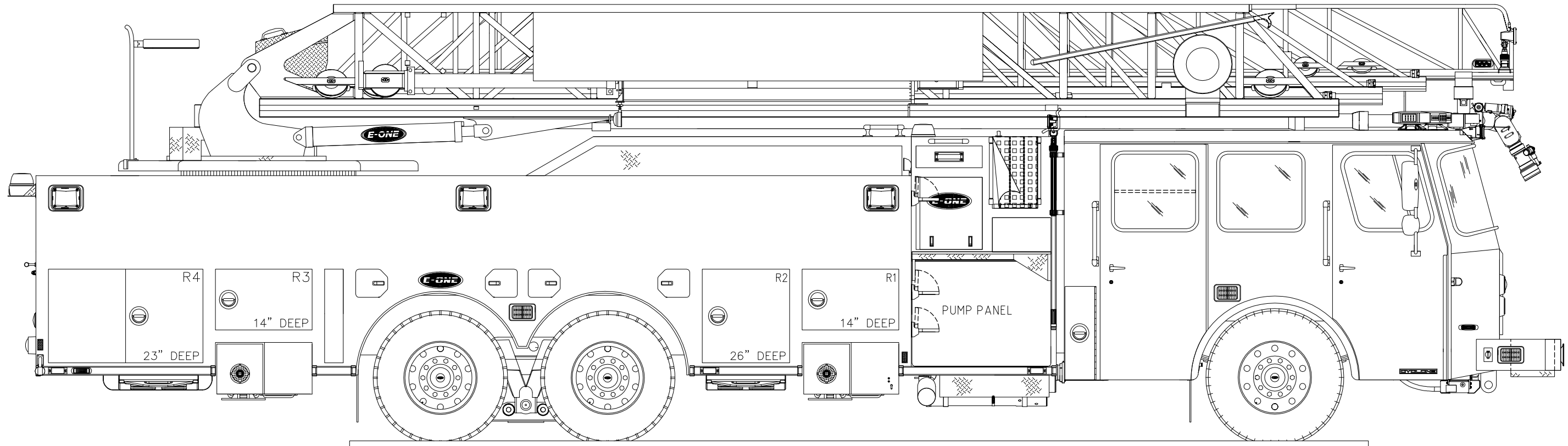
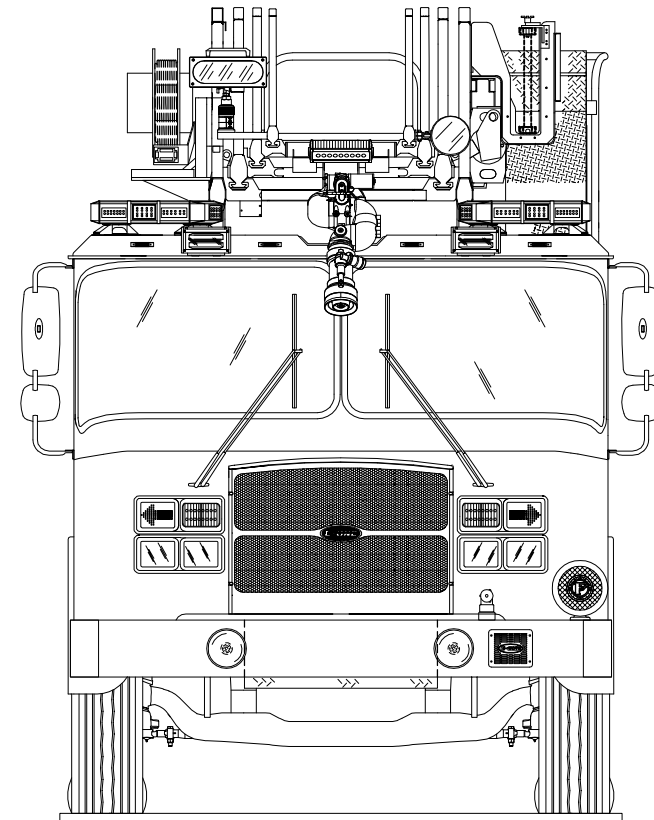


# OAKMONT FIRE CO. 1 HAVERTOWN, PA

Q76542  
AERIAL BODY  
CYCLONE II X LONG CHASSIS  
HP100 AERIAL LADDER

THIS DRAWING IS FOR REFERENCE PURPOSES. ALL DIMENSIONS ARE  
SUBJECT TO MINOR VARIATIONS DUE TO MANUFACTURING PROCESSES.

This print is the property of E-ONE, Inc. and is loaned to you  
subject to return on demand, unless otherwise agreed to in writing by  
E-ONE, Inc. Its contents are confidential and must not be  
copied or submitted to third parties for use or examination.



D.B.	A	INITIAL RELEASE	2016-JAN-25	D.B.
DRAWN BY	REV	DESCRIPTION	DATE	APPROVED
APPROVAL REVISIONS				SHEET 2 OF 2