

OAKLYN FIRE DEPARTMENT OAKLYN, NJ

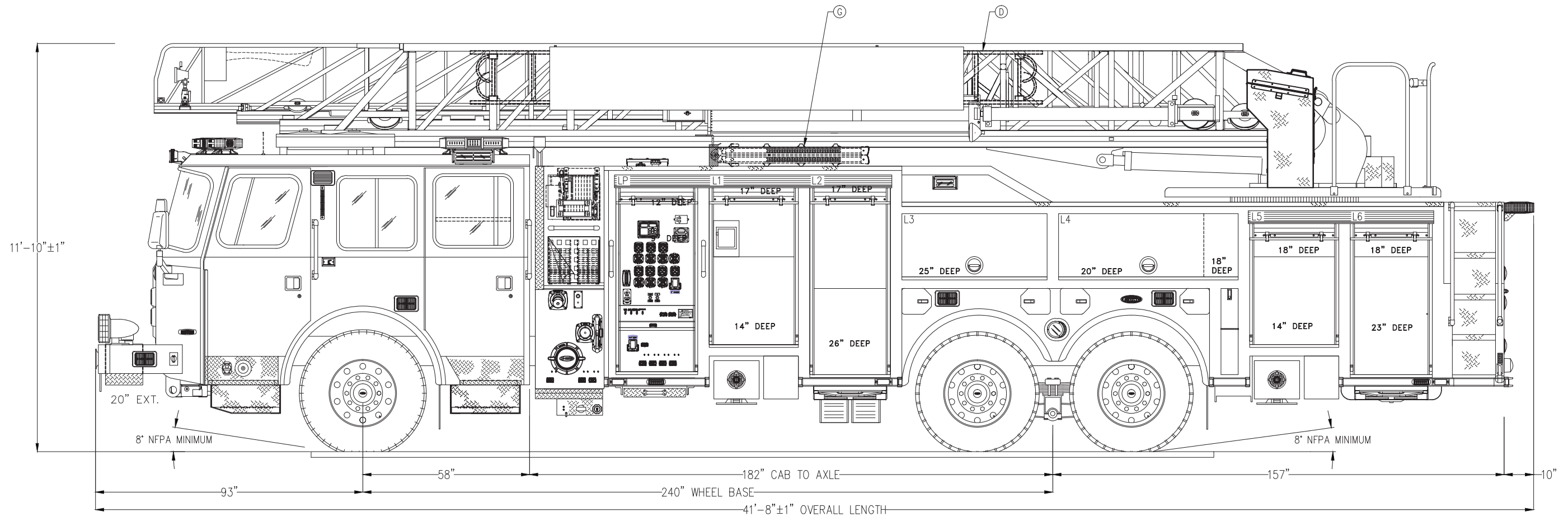
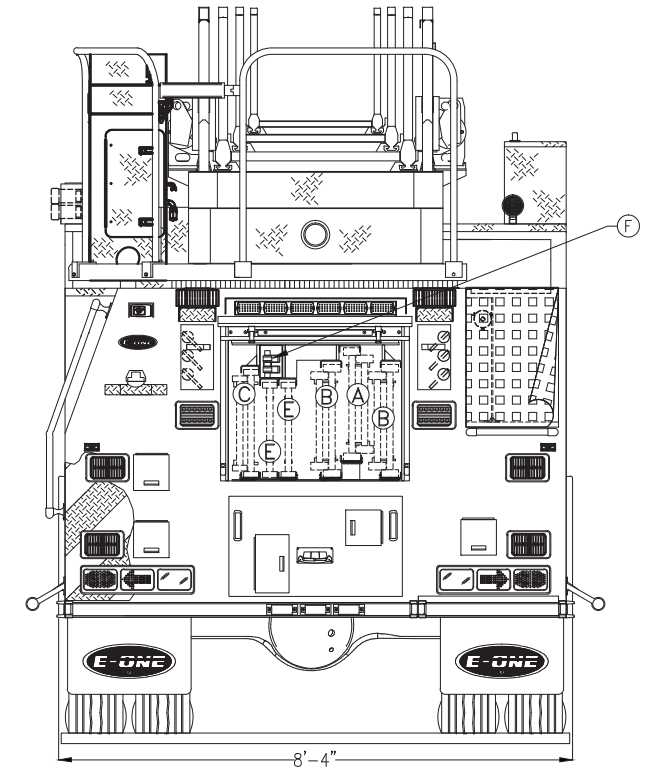
S0.139552 / Q65804
eMAX AERIAL BODY
CYCLONE II X MEDIUM CHASSIS
HP100' AERIAL

THIS DRAWING IS FOR REFERENCE PURPOSES. ALL DIMENSIONS ARE SUBJECT TO MINOR VARIATIONS DUE TO MANUFACTURING PROCESSES.

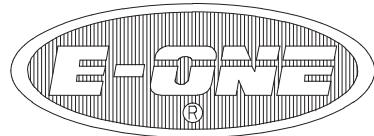
APPROVED FOR PRODUCTION

DESIGNER: B. MASON DATE: 2015-01-26

1500 GPM E-ONE PUMP		HOSE LOAD:	
500 GALLON WATER TANK		250' OF 2.50" RUBBER SNAP-TITE	
		1000' OF 4.00" LDH	
COMPT.	OPENING	INTERIOR DIMENSION	
LP	26W 59H	PUMP PANEL CONTROLS	
RP	26W 59H	28W 68H	NOTED
L1/R1	29W 49H	31W 18H 18D	UPPER
		31W 30H 14D	LOWER
L2/R2	26W 59H	28W 30H 14D	UPPER
		28W 28H 26D	LOWER
L3	50W 22H	50W 22H	25D
L4	62W 22H	62W 22H	NOTED
L5	29W 37H	31W 8H 18D	UPPER
		31W 28H 14D	LOWER
L6	26W 47H	28W 8H 18D	UPPER
		28W 39H 23D	LOWER
R3	31W 19H	31W 19H	14D
R4	49W 30H	49W 30H	23D
GROUND LADDERS			
ITEM	LADDER LENGTH	MODEL NUMBER	QTY
A	35' 2-SECTION	PEL-35	1
B	28' 2-SECTION	PEL-28	2
C	PEL-24	24' 2-SECT	1
D	16' ROOF	875A-DR	1 ON AERIAL
E	PRL-14	14' ROOF	2
F	FL-10	10' ATTIC	1
G	LITTLE GIANT	MODEL 17	1



DJB	B	RFP	2015-JAN-27	BMASON
DJB	A	INITIAL RELEASE	2015-JAN-15	BMASON
DRAWN BY	REV	DESCRIPTION	DATE	APPROVED
APPROVAL REVISIONS				SHEET 1 OF 1



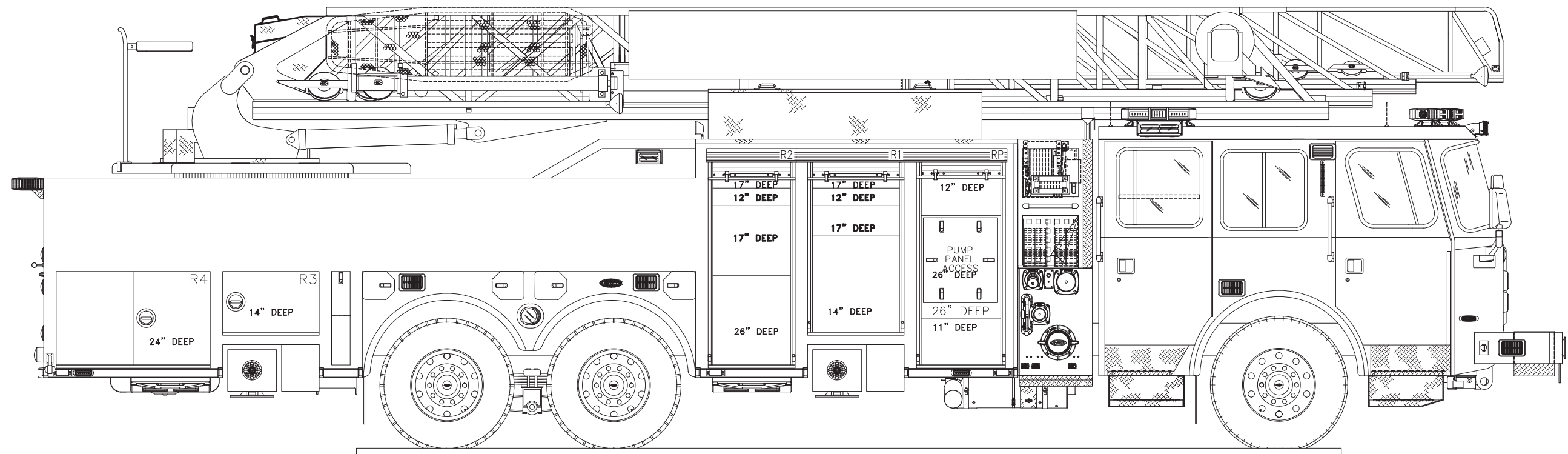
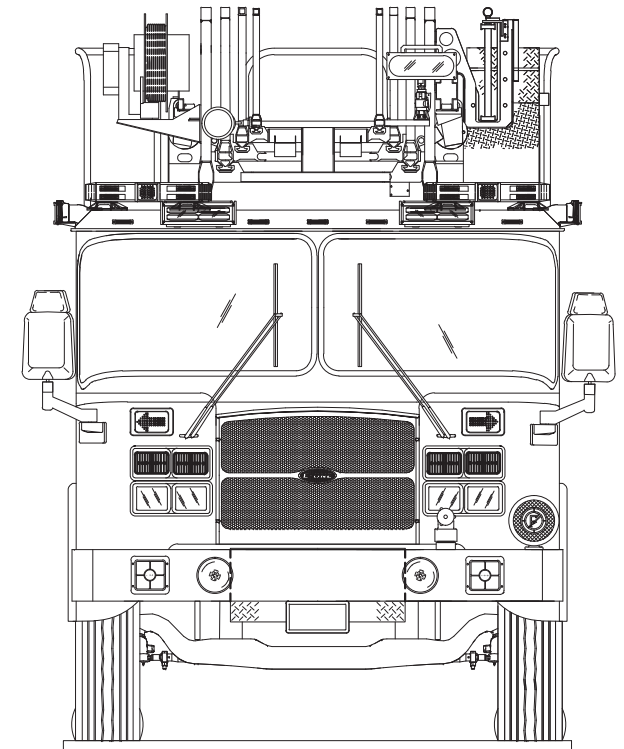
OAKLYN FIRE DEPARTMENT OAKLYN, NJ

S0.139552 / Q65804
eMAX AERIAL BODY
CYCLONE II X MEDIUM CHASSIS
HP100' AERIAL

THIS DRAWING IS FOR REFERENCE PURPOSES. ALL DIMENSIONS ARE
SUBJECT TO MINOR VARIATIONS DUE TO MANUFACTURING PROCESSES.

APPROVED FOR PRODUCTION

DESIGNER: B. MASON DATE: 2015-01-26



DRAWN BY	REV	DESCRIPTION	DATE	APPROVED
DJB	B	RFP	2015-JAN-27	BMASON
DJB	A	INITIAL RELEASE	2015-JAN-15	BMASON
APPROVAL REVISIONS				SHEET 1 OF 1