

MINICIPALITY OF NORRISTOWN NORRISTOWN, PA

QUOTE 83419
AERIAL BODY
TYPHOON X CHASSIS
HP78 AERIAL LADDER

THIS DRAWING IS FOR REFERENCE PURPOSES. ALL DIMENSIONS ARE SUBJECT TO MINOR VARIATIONS DUE TO MANUFACTURING PROCESSES.

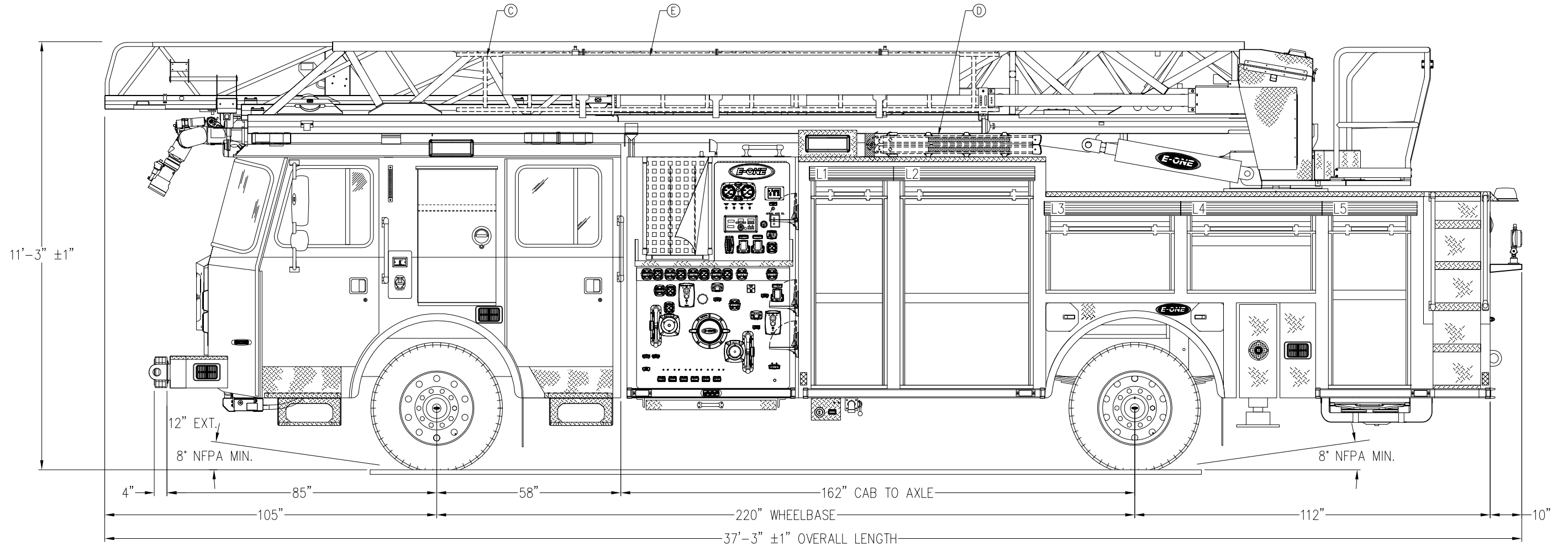
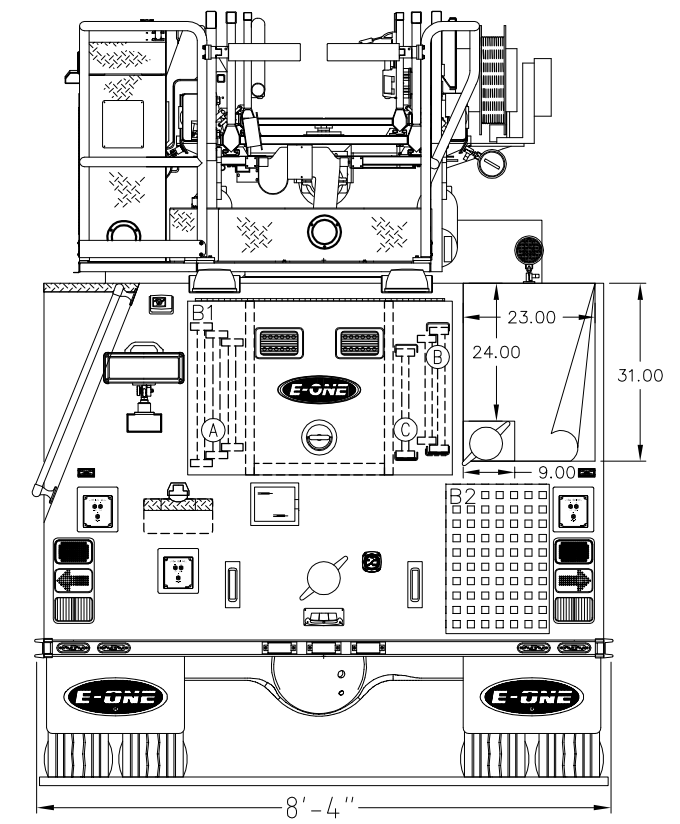
This print is the property of E-ONE, Inc. and is loaned to you subject to return on demand, unless otherwise agreed to in writing by E-ONE, Inc. Its contents are confidential and must not be copied or submitted to third parties for use or examination.

1500 GPM WATEROUS CSU PUMP	HOSE LOAD:
500 GALLON WATER TANK	

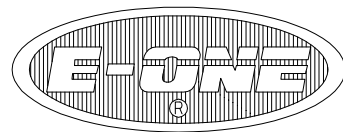
COMPT.	OPENING	INTERIOR DIMENSION			
L1	22W 59H	24W 14H 21D	24W 28H 24D	24W 26H 26D	UPPER MIDDLE LOWER
R1	22W 59H	24W 11H 24D	24W 35H 23D	24W 26H 26D	UPPER MIDDLE LOWER
L2	40W 59H	42W 14H 21D	42W 28H 24D	42W 26H 26D	UPPER MIDDLE LOWER
R2	40W 59H	42W 11H 24D	42W 35H 23D	42W 26H 26D	UPPER MIDDLE LOWER
L3	38W 18H	40W 31H	24D		
R3	47W 26H	47W 26H	NOTED		
L4	38W 18H	40W 20H 24D	40W 11H 26D		UPPER LOWER
L5	24W 48H	26W 31H 24D	26W 26H 26D		UPPER LOWER
B1	21W 28H	TURNTALE ACCESS ONLY			
B2	18W 26H	18W 26H	12D		

GROUND LADDERS			
ITEM	LADDER LENGTH	MODEL NUMBER	QTY
A	35' 3-SECT.	1225-A 35'	1
B	24' 2-SECT.	900-A 24'	1
C	16' ROOF	875-A 16'	2
D	LITTLE GIANT	MODEL 17	1
E	ATTIC LADDER	585-A 10'	1

ONE ON AERIAL



D.B	C	RFC	2017-09-05	D.B
D.B	B	RFC	2017-06-29	D.B
D.B	A	INITIAL RELEASE	2017-03-30	D.B
DRAWN BY	REV	DESCRIPTION	DATE	APPROVED
		PROPOSAL REVISIONS		SHEET 1 OF 2

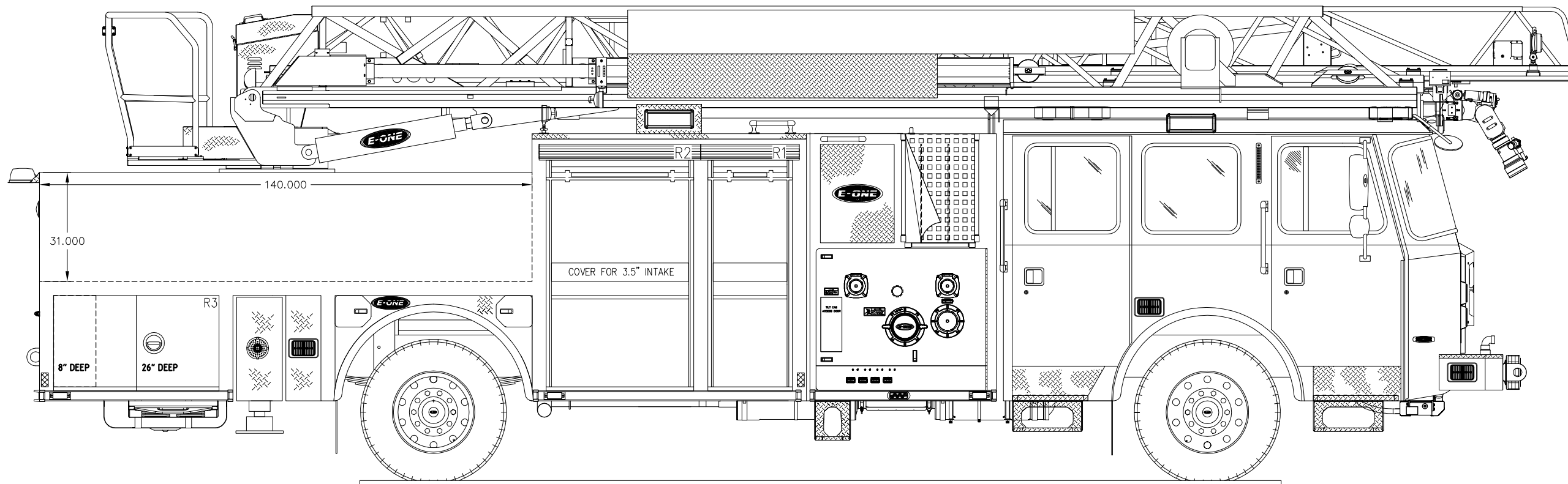
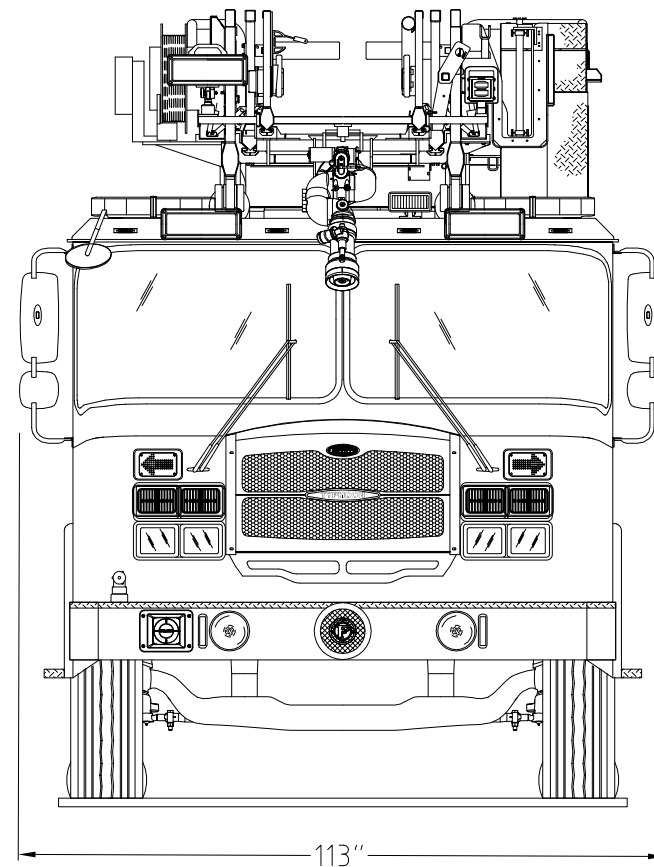


MINICIPALITY OF NORRISTOWN NORRISTOWN, PA

QUOTE 83419
AERIAL BODY
TYPHOON X CHASSIS
HP78 AERIAL LADDER

THIS DRAWING IS FOR REFERENCE PURPOSES. ALL DIMENSIONS ARE SUBJECT TO MINOR VARIATIONS DUE TO MANUFACTURING PROCESSES.

This print is the property of E-ONE, Inc. and is loaned to you subject to return on demand, unless otherwise agreed to in writing by E-ONE, Inc. Its contents are confidential and must not be copied or submitted to third parties for use or examination.



D.B	C	RFC	2017-09-05	D.B
D.B	B	RFC	2017-06-29	D.B
D.B	A	INITIAL RELEASE	2017-03-30	D.B
DRAWN BY	REV	DESCRIPTION	DATE	APPROVED
PROPOSAL REVISIONS				SHEET 2 OF 2