

LIMERICK FIRE COMPANY
LIMERICK, PA.
 S0141003/Q81188
 AERIAL BODY
 CYCLONE II X CHASSIS
 HP95' AERIAL PLATFORM

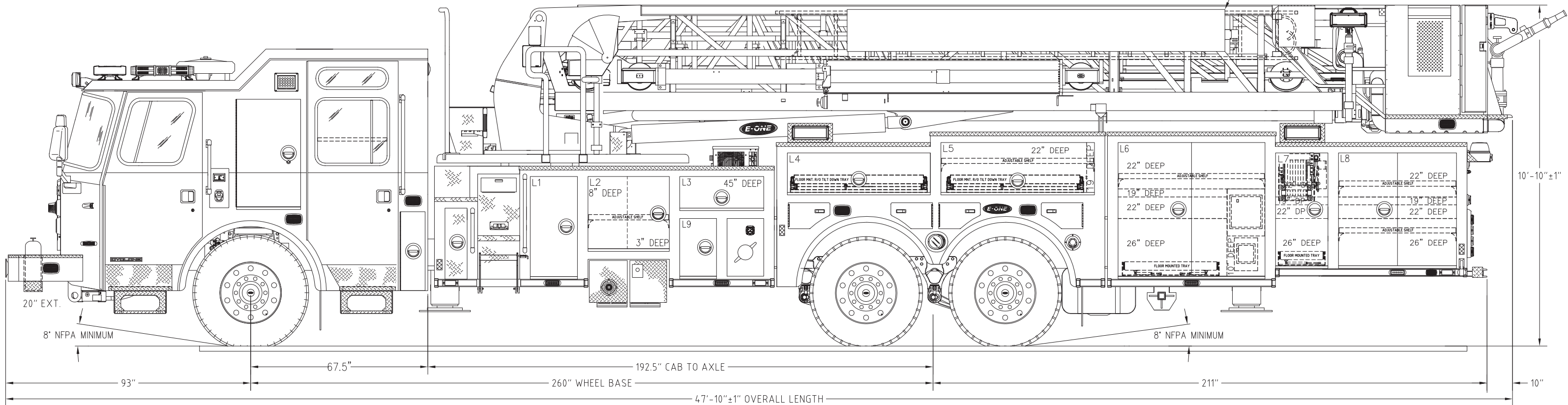
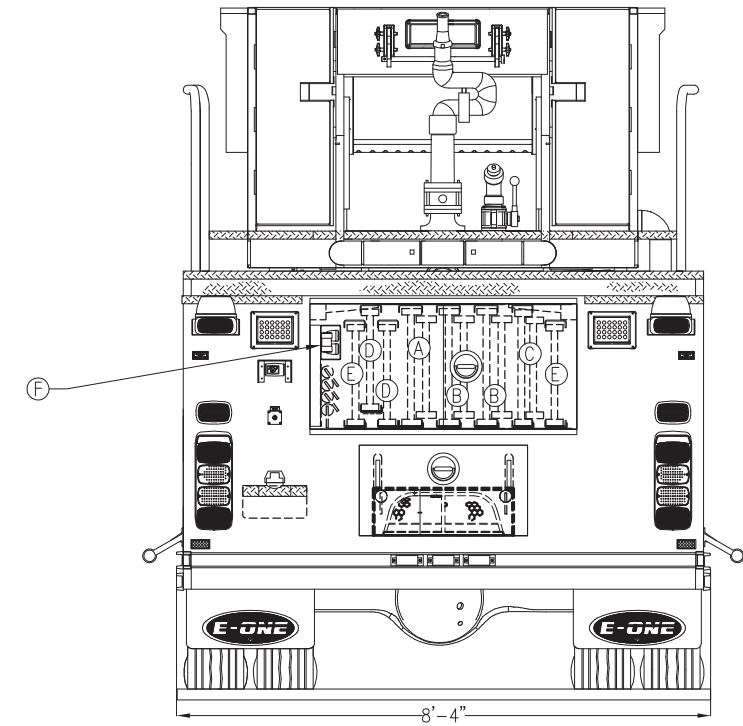
THIS DRAWING IS FOR REFERENCE PURPOSES. ALL DIMENSIONS ARE SUBJECT TO MINOR VARIATIONS DUE TO MANUFACTURING PROCESSES.

APPROVED FOR PRODUCTION

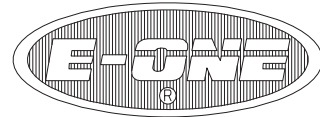
DESIGNER: _____ DATE: _____

COMPT.	OPENING		INTERIOR DIMENSION			
L1	18W	38H	OIL RESEVOIR			
R1	18W	38H	18W	38H	11D	
L2/R2	31W	27H	15W 16W	27H 27H	NOTED NOTED	FORWARD REARWARD
L3/R3	32W	12H	32W	12H	NOTED	
L4/R4	54W	15H	54W	15H	25D	
L5/R5	58W	19H	58W	19H	NOTED	
L6/R6	56W	51H	56W 56W	21H 30H	NOTED NOTED	UPPER LOWER
L7/R7	20W	43H	20W 20W	20H 23H	NOTED NOTED	UPPER LOWER
L8/R8	45W	43H	45W 45W	20H 23H	NOTED NOTED	UPPER LOWER
L9/R9	14W	22H	14W	22H	22D	

GROUND LADDERS			
ITEM	LADDER LENGTH	MODEL NUMBER	QTY
A	35' 2-SECT.	1200-A 35	1
B	28' 2-SECT.	1200-A 28	2
C	24' 2-SECT.	900-A 24	1
D	18' ROOF	875-A 18	2
E	16' ROOF	875-A 16	3 (1) ON AERIAL
F	10' ATTIC	545-A 10	1
G	12' ROOF	775-A 12	1 ON AERIAL



REV	DESCRIPTION	DATE	APPROVED
D	RFP	2017-JUN-26	BMASON
C	RFP	2017-JAN-27	BMASON
B	RFC	2016-NOV-28	BMASON
A	INITIAL RELEASE	2016-OCT-27	BMASON
REV	DESCRIPTION	DATE	APPROVED

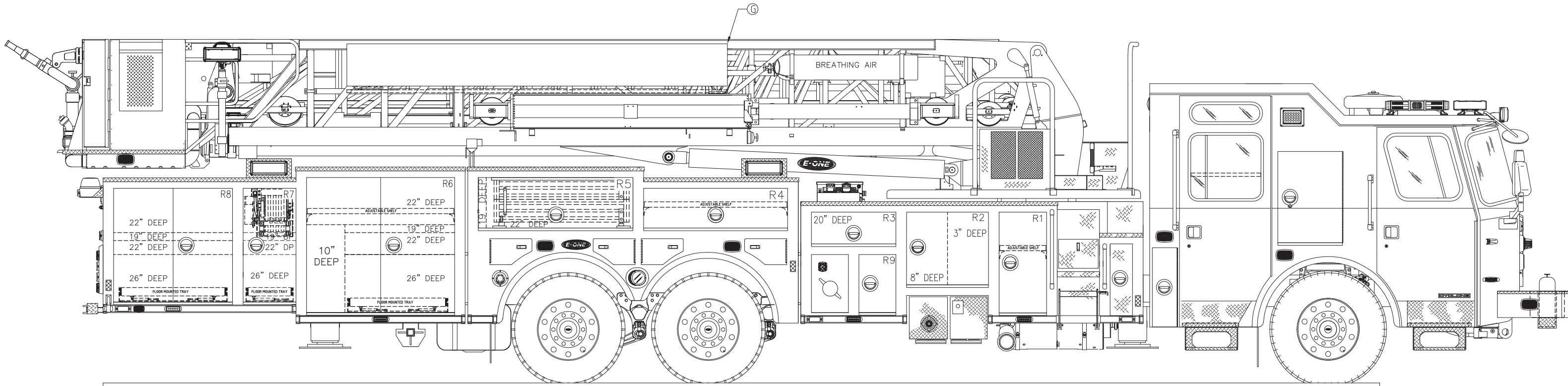
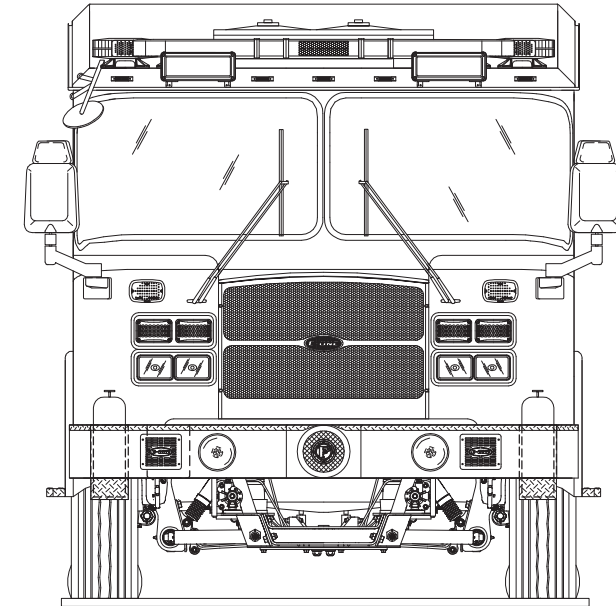


LIMERICK FIRE COMPANY
LIMERICK, PA.
 S.O.141003/Q81188
 AERIAL BODY
 CYCLONE II X CHASSIS
 HP95' AERIAL PLATFORM

THIS DRAWING IS FOR REFERENCE PURPOSES. ALL DIMENSIONS ARE SUBJECT TO MINOR VARIATIONS DUE TO MANUFACTURING PROCESSES.

APPROVED FOR PRODUCTION

DESIGNER: _____ DATE: _____



DRAWN BY	REV	DESCRIPTION	DATE	APPROVED
GACRET	D	RFP	2017-JUN-26	EMASON
GACRET	C	RFP	2017-JAN-27	EMASON
GACRET	B	RFP	2016-NOV-28	EMASON
GACRET	A	INITIAL RELEASE	2016-OCT-27	EMASON