



LIBERTY STEAM FIRE ENGINE COMPANY 1

SPRING CITY, PA.

S.O. 141208 / QUOTE 63980

CUSTOM 42 RESCUE PUMPER

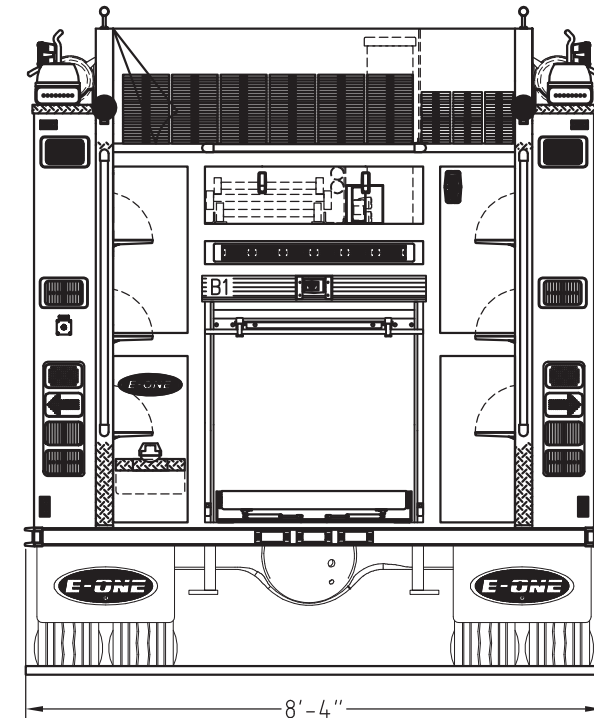
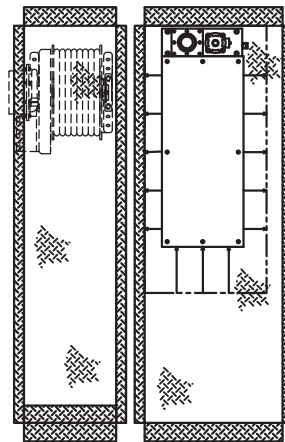
E-ONE TYPHOON X MEDIUM CAB 4X2 CHASSIS

2000 GPM HALE QMAX PUMP		HOSE LOAD:	
530 GALLON WATER TANK		1000' OF 5.00" LDH	
		300' OF 3.00" DJ	
COMPT.	OPENING	INTERIOR DIMENSION	
L1/L3	40W 59H	42W 3H 12D	UPPER
		42W 56H 26D	LOWER
L2	54W 25H	56W 3H 12D	UPPER
		56W 22H 26D	LOWER
R1/R3	40W 59H	42W 3H 12D	UPPER
		42W 56H 26D	LOWER
R2	54W 25H	56W 3H 12D	UPPER
		56W 22H 26D	LOWER
B1	36W 33H	38W 49H	26D

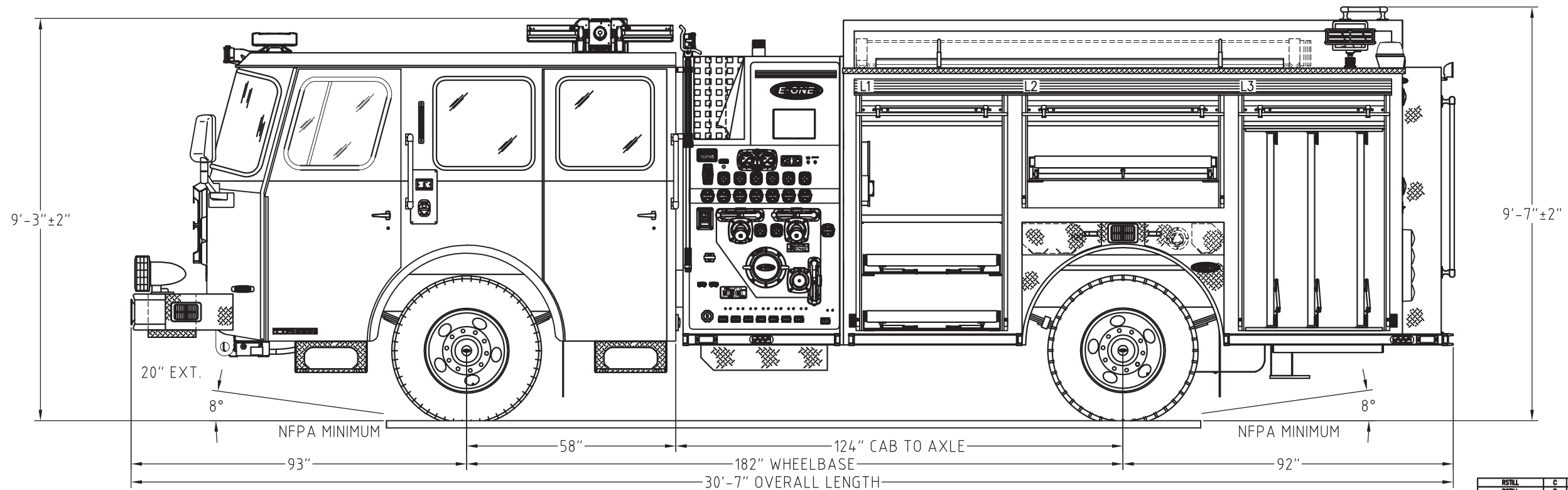
THIS DRAWING IS FOR REFERENCE PURPOSES. ALL DIMENSIONS ARE SUBJECT TO MINOR VARIATIONS DUE TO MANUFACTURING PROCESSES.

APPROVED FOR PRODUCTION

DESIGNER: RAY STILL DATE: 2017-MAR-31



HOSEBED HEIGHT:
(FOR REFERENCE ONLY)
TO TAILBOARD: 67"
TO GROUND: 91"



REVISION	DATE	DESCRIPTION	APPROVED
1	2017-MAR-31	CUSTOMER CHANGES / ACTION ITEM	RAY STILL
2	2017-MAR-01	RFP REVIEW	RAY STILL
3	2017-JAN-19	INITIAL RELEASE / ORDER SCRUB	RAY STILL
4		REV	APPROVED

APPROVAL REVISIONS



LIBERTY STEAM FIRE ENGINE COMPANY 1

SPRING CITY, PA.

S.O. 141208 / QUOTE 63980

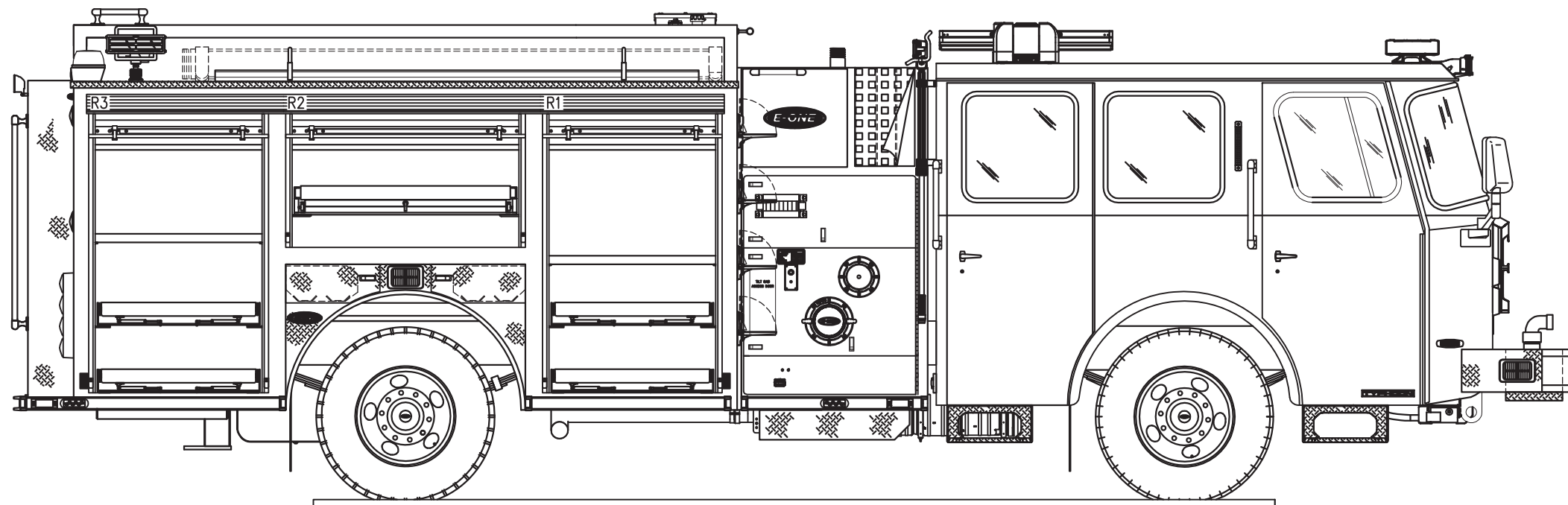
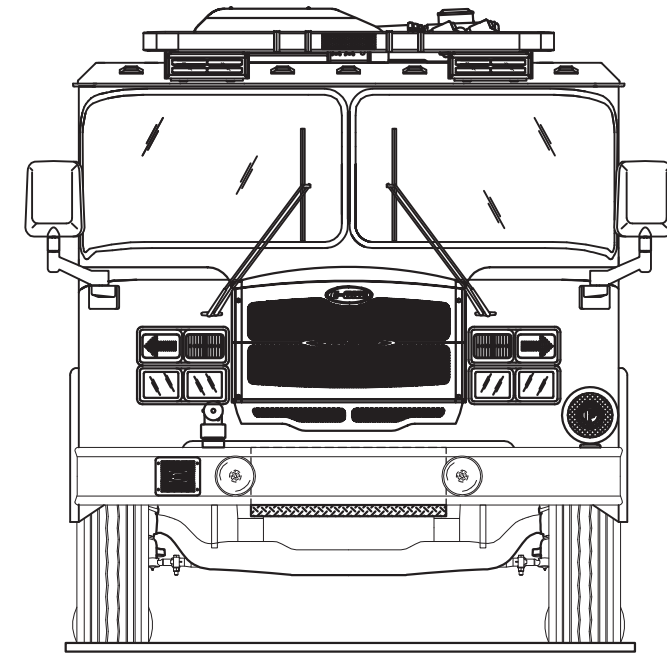
CUSTOM 42 RESCUE PUMPER

E-ONE TYPHOON X MEDIUM CAB 4X2 CHASSIS

THIS DRAWING IS FOR REFERENCE PURPOSES. ALL DIMENSIONS ARE SUBJECT TO MINOR VARIATIONS DUE TO MANUFACTURING PROCESSES.

APPROVED FOR PRODUCTION

DESIGNER: RAY STILL DATE: 2017-MAR-31



STILL	C	CUSTOMER CHANGES / ACTION ITEM	2017-MAR-31	STILL
STILL	B	RFP REVIEW	2017-MAR-01	STILL
STILL	A	INITIAL RELEASE / ORDER SCRUB	2017-JAN-10	STILL
DRAWN BY	REV	DESCRIPTION	DATE	APPROVED
APPROVAL REVISIONS				SHEET 2 OF 2