

# E-ONE, INC

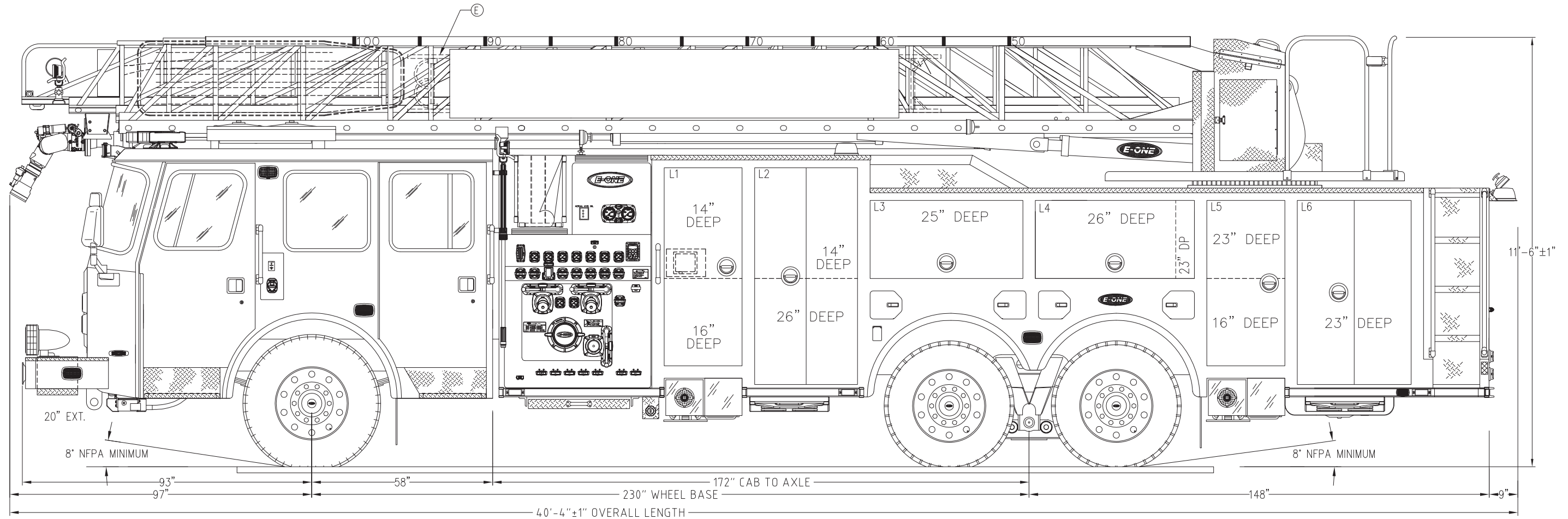
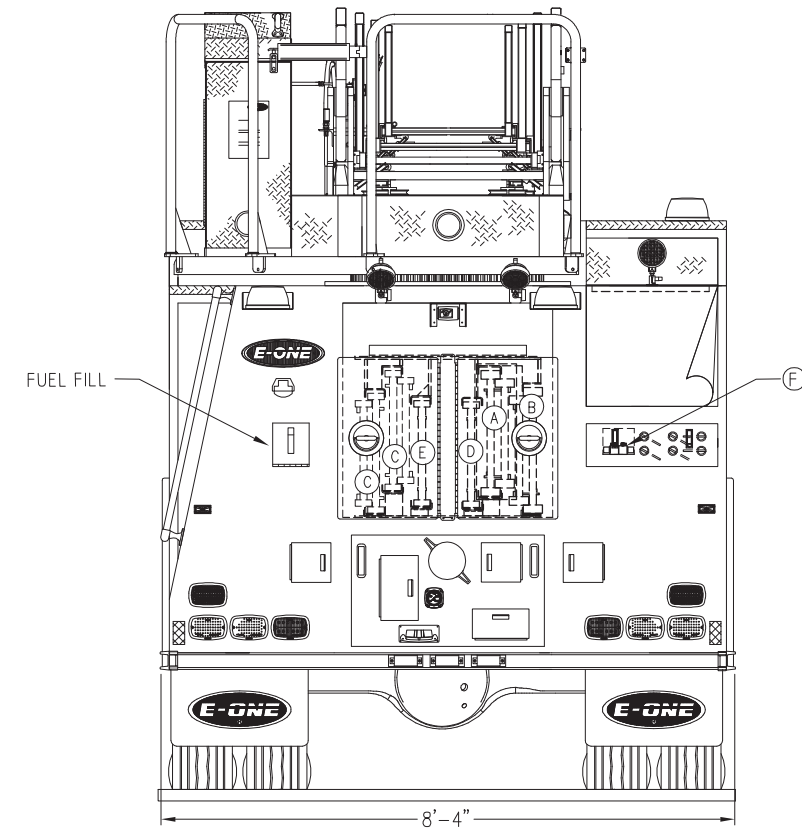
## OCALA, FL

**SO 140498**  
 AERIAL BODY  
 CYCLONE II X CHASSIS  
 HM100 AERIAL LADDER

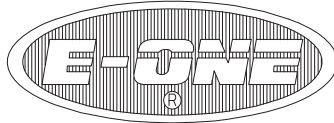
THIS DRAWING IS FOR REFERENCE PURPOSES. ALL DIMENSIONS ARE SUBJECT TO MINOR VARIATIONS DUE TO MANUFACTURING PROCESSES.

**APPROVED FOR PRODUCTION**

DESIGNER: \_\_\_\_\_ DATE: \_\_\_\_\_



DESIGNER	REV	DESCRIPTION	DATE	APPROVED
ZSCHULTZ	B	NEW IC BRAND STEPS	2016-JUN-13	BMASON
ZSCHULTZ	A	RFP	2016-MAR-29	BMASON
APPROVAL REVISIONS				SHEET 1 OF 2



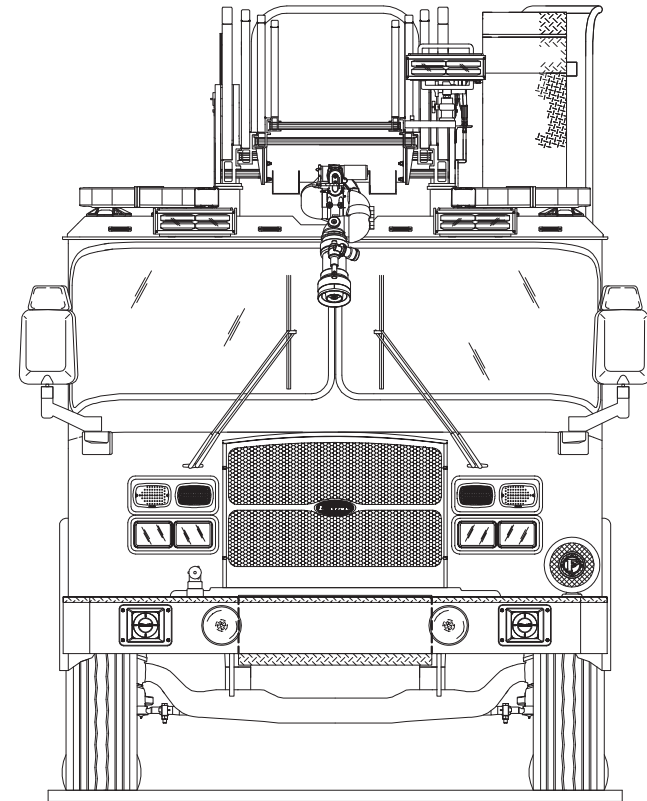
# E-ONE, INC

## OCALA, FL

**SO 140498**  
 AERIAL BODY  
 CYCLONE II X CHASSIS  
 HM100 AERIAL LADDER

2000 GPM HALE QMAX PUMP 500 GALLON WATER TANK		HOSELOAD STD	
COMPT.	OPENING	INTERIOR DIMENSION	
L1/R1	25W 63H	25W 35H 14D	UPPER LOWER
L2/R2	33W 69H	33W 35H 14D	UPPER LOWER
L3	49W 25H	49W 25H	25D
R3	49W 25H	49W 25H	26D
L4	51W 25H	51W 25H	NOTED
R4	25W 24H	25W 24H	16D
L5	25W 53H	25W 25H 23D	UPPER LOWER
R5	57W 30H	57W 30H	23D
L6	36W 59H	36W 59H	23D
GROUND LADDERS			
ITEM	LADDER LENGTH	MODEL NUMBER	QTY
A	35' 2-SECT.	PEL-35	1
B	28' 2-SECT	PEL-28	1
C	24' 2-SECT.	PEL-24	2
D	16' ROOF	PRL-16	1
E	14' ROOF	PRL-14	2
F	10' FOLDING	FL-10	1

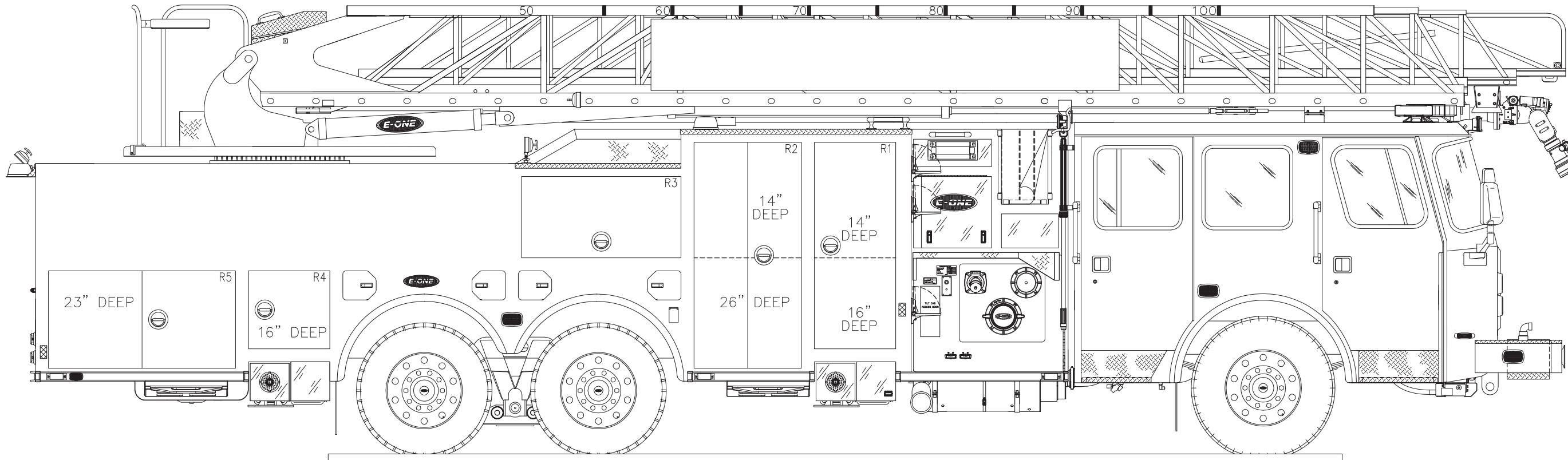
ONE ON AERIAL



THIS DRAWING IS FOR REFERENCE PURPOSES. ALL DIMENSIONS ARE SUBJECT TO MINOR VARIATIONS DUE TO MANUFACTURING PROCESSES.

**APPROVED FOR PRODUCTION**

DESIGNER: \_\_\_\_\_ DATE: \_\_\_\_\_



ZSCHALTZ	B	NEW IC BRAND STEPS	2016-JUN-13	EMASON
ZSCHALTZ	A	REP	2016-MAR-29	EMASON
DRAWN BY	REV	DESCRIPTION	DATE	APPROVED
APPROVAL REVISIONS				SHEET 2 OF 2