



HARMONY FIRE COMPANY
MULLICA HILL, NJ

S0.143271/Q93431
 MID-MOUNT AERIAL BODY
 E-ONE CAB CYCLONE 6X4 CHASSIS
 95-PLATFORM

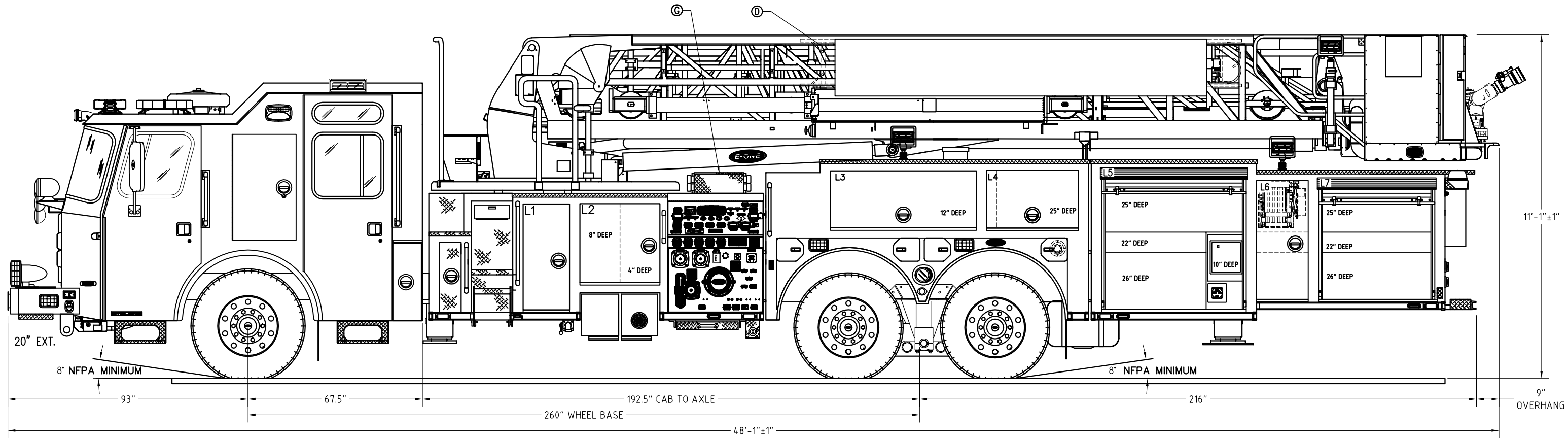
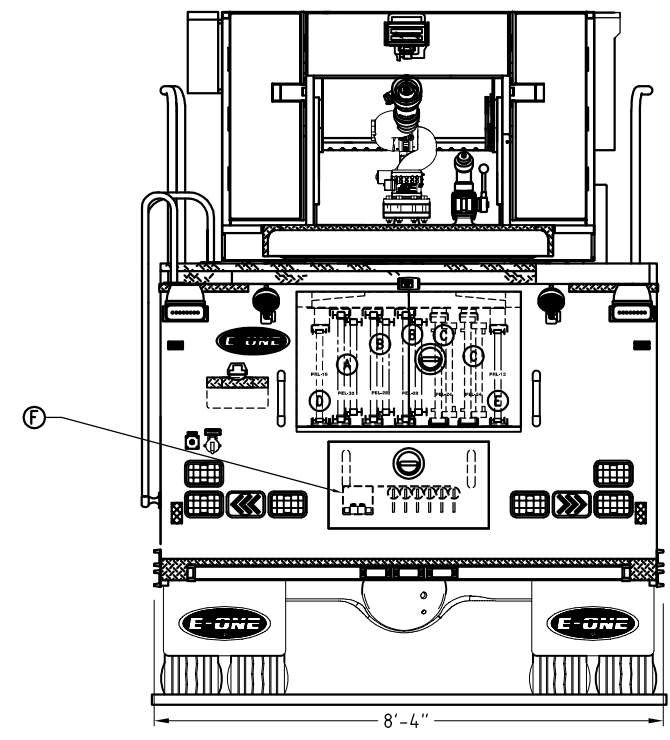
THIS DRAWING IS FOR REFERENCE PURPOSES. ALL DIMENSIONS ARE
 SUBJECT TO MINOR VARIATIONS DUE TO MANUFACTURING PROCESSES.

APPROVED FOR PRODUCTION
 DESIGNER: D. BRAY DATE: 2019-07-16

2000 GPM HALE 8FGR PUMP	
250 GALLON WATER TANK	

COMPT.	OPENING		INTERIOR DIMENSION		
L1	18W	41H	OIL RESEVOIR		
R1	18W	41H	18W	41H	20D
L2/R2	31W	30H	31W	30H	NOTED
L3	56W	22H	56W	22H	NOTED
R3	53W	22H	53W	22H	NOTED
L4	35W	22H	35W	22H	NOTED
R4	38W	22H	38W	22H	NOTED
L5/R5	54W	45H	56W	27H	NOTED UPPER
			56W	22H	NOTED LOWER
L6/R6	20W	46H	20W	20H	25D UPPER
			20W	8H	19D MIDDLE
			20W	18H	26D LOWER
L7/R7	43W	36H	45W	11H	25D UPPER
			45W	8H	19D MIDDLE
			45W	18H	26D LOWER

GROUND LADDERS				
ITEM	LADDER LENGTH	MODEL NUMBER	QTY	
A	35' 2-SECT.	PEL-35	1	
B	28' 2-SECT.	PEL-28	2	
C	24' 2-SECT.	PEL-24	2	
D	16' ROOF	PRL-16	2	ONE ON AERIAL
E	12' ROOF	PRL-12	2	ONE ON AERIAL
F	10' FOLDING	FL-10	1	
G	LITTLE GIANT	MODEL 17	1	



DESIGNER	DATE	DESCRIPTION	DATE	APPROVED
D.B.	2019-06-05	INITIAL RELEASE	2019-05-17	D.B.
STRANDER				STRANDER
APPROVAL REVISIONS				



HARMONY FIRE COMPANY MULLICA HILL, NJ

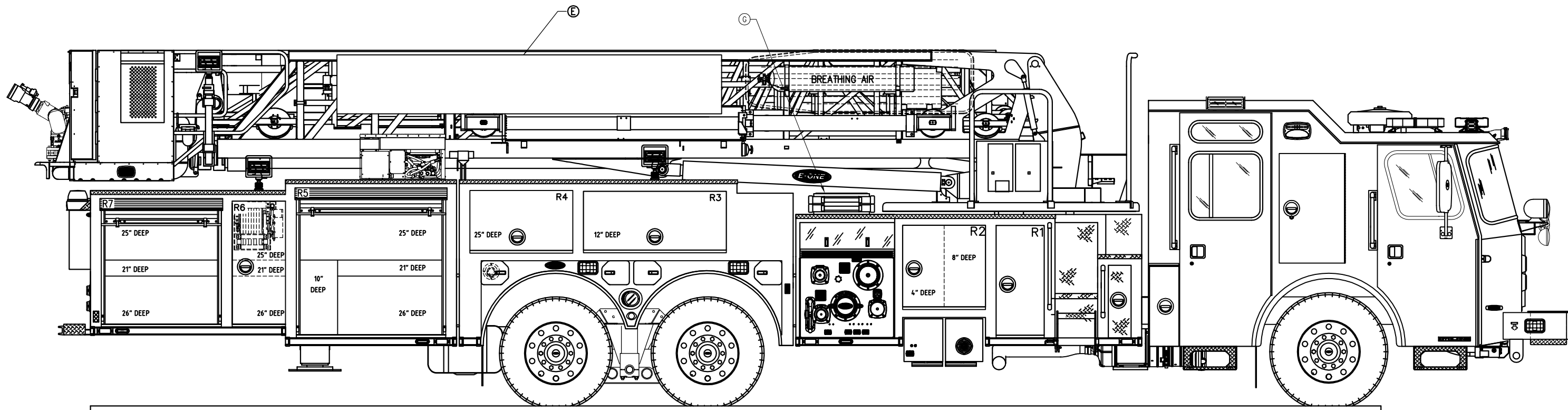
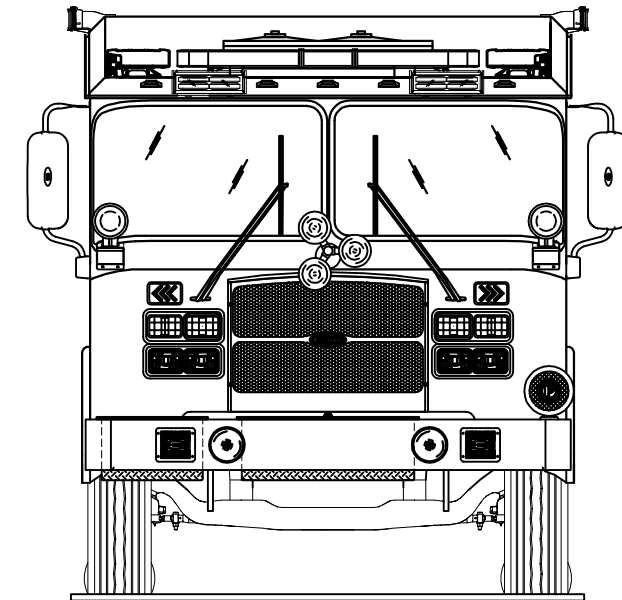
S0.143271/Q93431

MID-MOUNT AERIAL BODY
E-ONE CAB CYCLONE 6X4 CHASSIS
95-PLATFORM

THIS DRAWING IS FOR REFERENCE PURPOSES. ALL DIMENSIONS ARE
SUBJECT TO MINOR VARIATIONS DUE TO MANUFACTURING PROCESSES.

APPROVED FOR PRODUCTION

DESIGNER: D. BRAY DATE: 2019-07-16



DWG	REV	DATE	BY
SWANER	1	2019-05-06	SWANER
DESCRIPTION	DATE	APPROVED	
INITIAL RELEASE	2019-05-17	SWANER	
APPROVAL REVISIONS			