

GERMANIA HOSE COMPANY DURYEA, PA.

S.O. 141392 / QUOTE 66975

CUSTOM 24 PUMPER

E-ONE TYPHOON X LONG CAB 4X2 CHASSIS

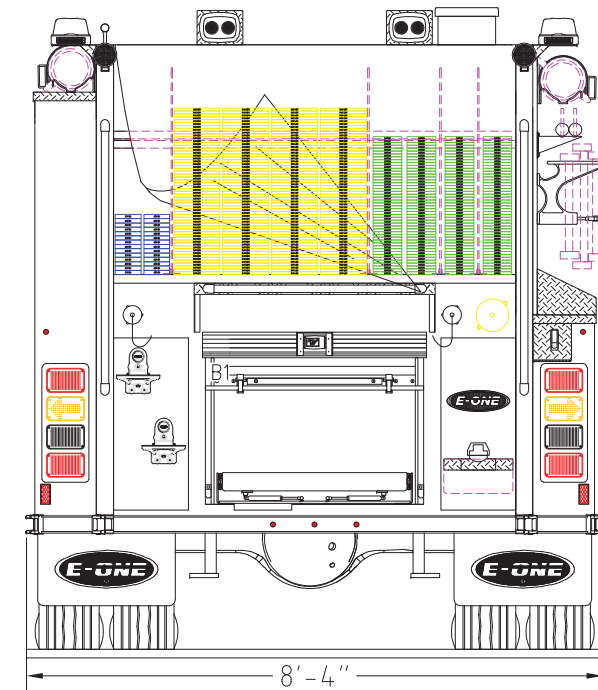
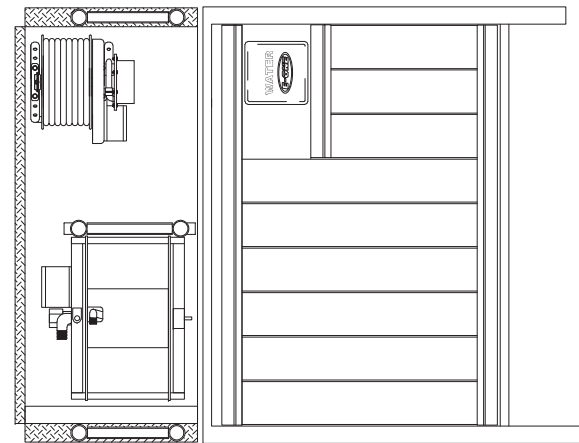
1500 GPM WATEROUS CSU PUMP 780 GALLON WATER TANK	HOSE LOAD:	
	200' OF 2.50" DJ	
	1200' OF 5.00" LDH	
	400' OF 3.00" DJ	
	200' OF 3.00" DJ	

COMPT.	OPENING		INTERIOR DIMENSION			
L1	24W	68H	24W	34H	12D	UPPER
			24W	30H	26D	LOWER
L2	56W	34H	56W	34H	12D	
L3	50W	68H	50W	34H	12D	UPPER
			50W	30H	26D	LOWER
R1	24W	30H	24W	30H	26D	
R2	50W	30H	50W	27H	26D	
B1	36W	21H	38W	30H	27D	

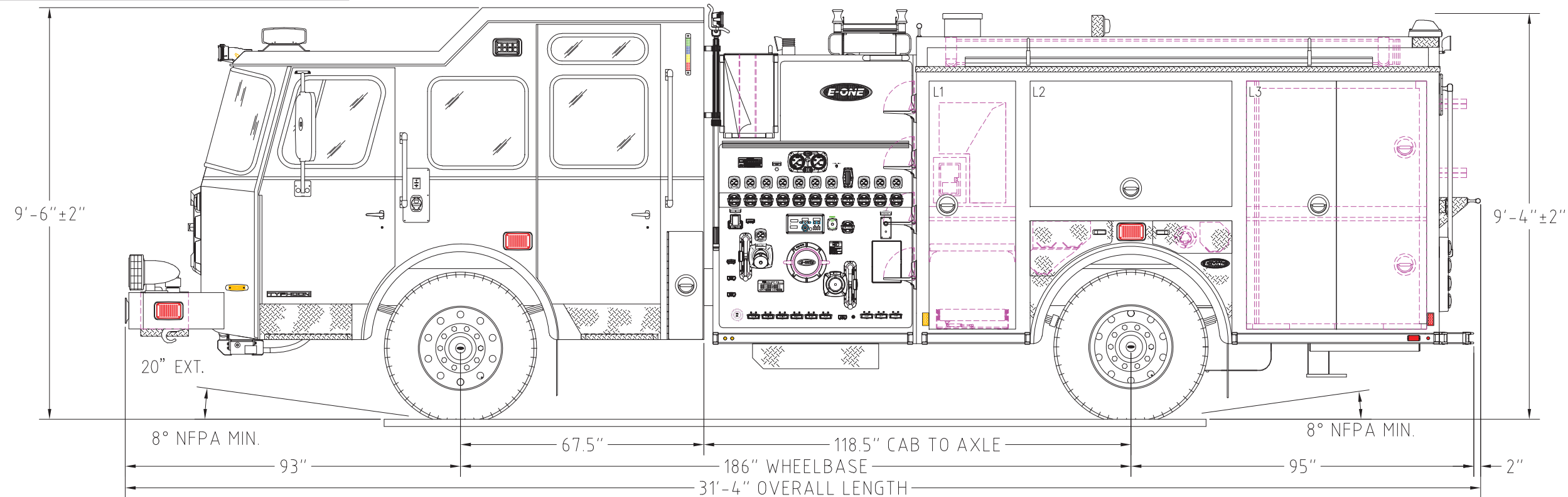
THIS DRAWING IS FOR REFERENCE PURPOSES. ALL DIMENSIONS ARE SUBJECT TO MINOR VARIATIONS DUE TO MANUFACTURING PROCESSES.

APPROVED FOR PRODUCTION

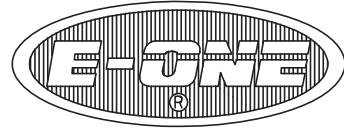
DESIGNER: ZACHARY R. SCHULTZ DATE: 05/24/2017



HOSEBED HEIGHT:
(FOR REFERENCE ONLY)
TO TAILBOARD: 42"
TO GROUND: 66"



ZSCHULTZ	B	RFP	2017-MAY-24	ZSCHULTZ
RSTILL	A	INITIAL RELEASE / ORDER SCRUB	2017-APR-17	RSTILL
DRAWN BY	REV	DESCRIPTION	DATE	APPROVED
		PROPOSAL REVISIONS		SHEET 1 OF 1



GERMANIA HOSE COMPANY DURYEA, PA.

S.O. 141392 / QUOTE 66975

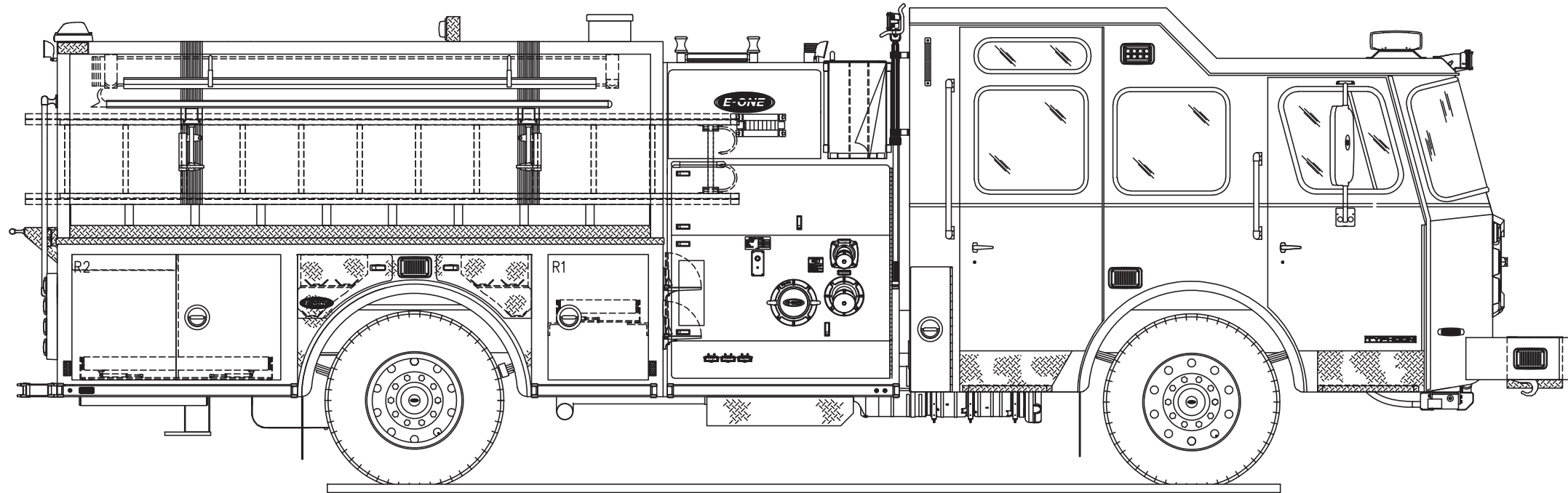
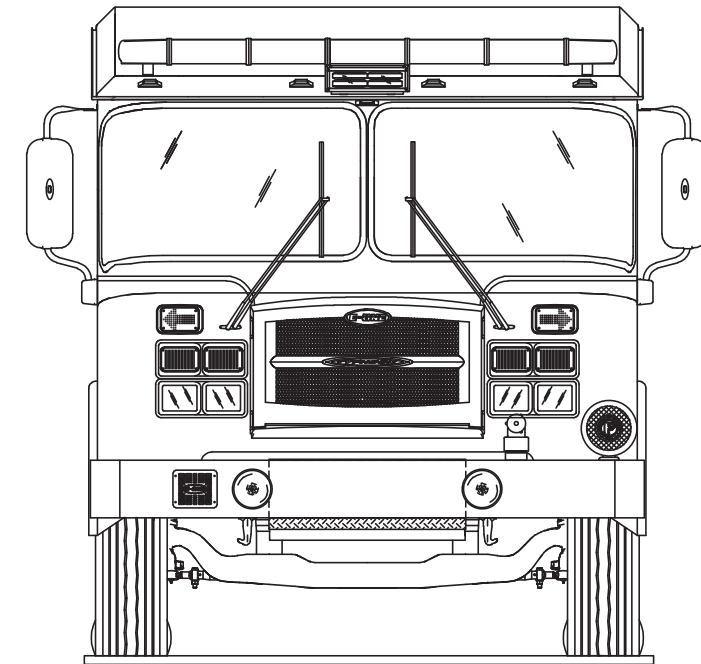
CUSTOM 24 PUMPER

E-ONE TYPHOON X LONG CAB 4X2 CHASSIS

THIS DRAWING IS FOR REFERENCE PURPOSES. ALL DIMENSIONS ARE
SUBJECT TO MINOR VARIATIONS DUE TO MANUFACTURING PROCESSES.

APPROVED FOR PRODUCTION

DESIGNER: ZACHARY R. SCHULTZ DATE: 05/24/2017



ZSCHULTZ	B	RFP	2017-MAY-24	ZSCHULTZ
RSTILL	A	INITIAL RELEASE / ORDER SCRUB	2017-APR-17	RSTILL
DRAWN BY	REV	DESCRIPTION	DATE	APPROVED
		APPROVAL REVISIONS		SHEET 1 OF 2