

CLAYTON VOLUNTEER FIRE COMPANY 1 CLAYTON, NJ

SO.139804

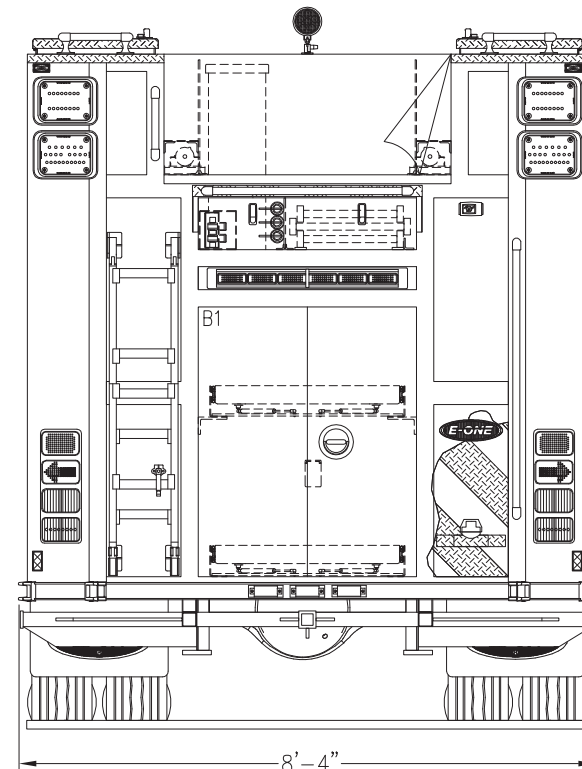
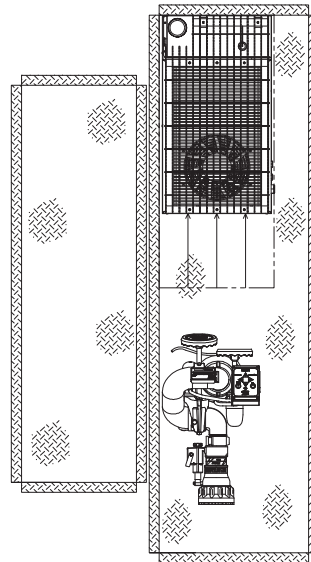
eMAX RESCUE PUMPER E-ONE TYPHOON X LONG CAB 4X2 CHASSIS

1500 GPM PUMP 780 GALLON WATER TANK		HOSE LOAD:				
		250' OF 3.00" DJ				
		1000' OF 4.00" LDH				
		250' OF 3.00" DJ				
COMPT.	OPENING		INTERIOR DIMENSION			
L1	24W	59H	PUMP PANEL			
R1	24W	59H	26W	3H	12D	UPPER
			26W	56H	26D	LOWER
L2/R2	54W	59H	56W	3H	12D	UPPER
			56W	56H	26D	LOWER
L3/R3	54W	25H	56W	3H	12D	UPPER
			56W	22H	26D	LOWER
L4/R4	54W	59H	56W	3H	12D	UPPER
			56W	56H	26D	LOWER
B1	38W	47H	38W	54H	26D	

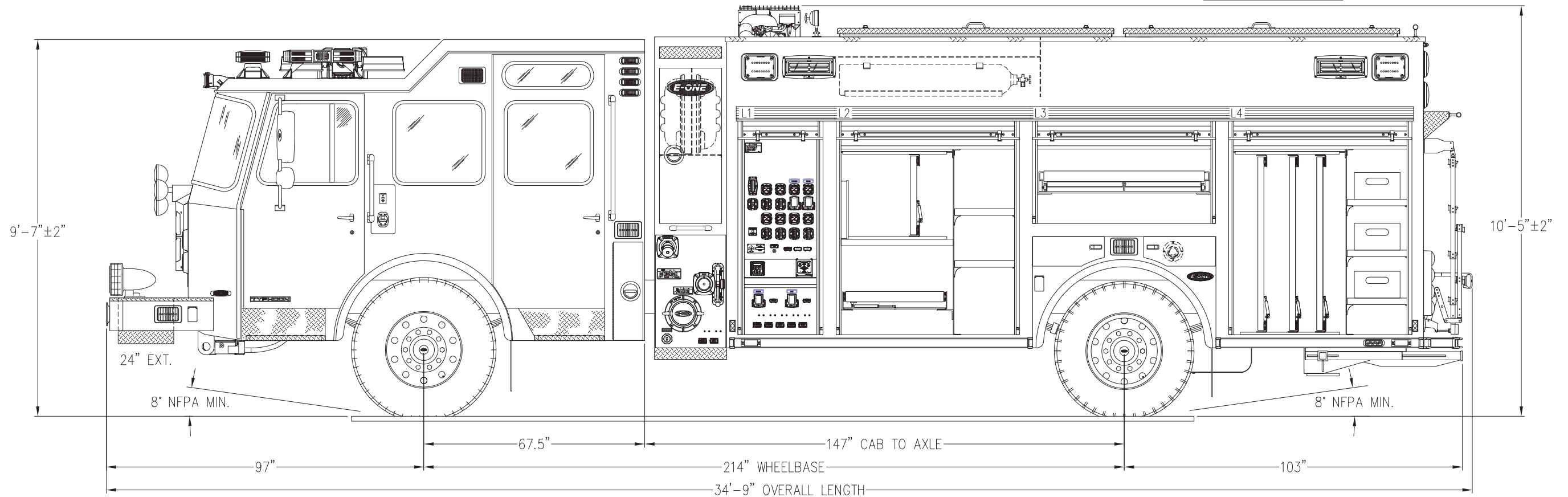
THIS DRAWING IS FOR REFERENCE PURPOSES. ALL DIMENSIONS ARE SUBJECT TO MINOR VARIATIONS DUE TO MANUFACTURING PROCESSES.

APPROVED FOR PRODUCTION

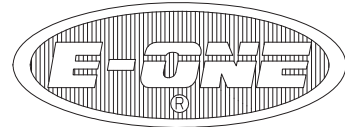
DESIGNER: J.DRAY DATE: 07-07-2015



8'-4"
HOSEBED HEIGHT:
(FOR REFERENCE ONLY)
TO TAILBOARD: 71"
TO GROUND: 95"



REV	DESCRIPTION	DATE	APPROVED	
DGALLAGHER D	ACTION ITEMS	2015-AUG-24	DGALLAGHER	
GACRET C	ACTION ITEMS	2015-JUL-09	JDRAY	
GACRET B	PIP	2015-JUL-06	JDRAY	
DGALLAGHER A	INITIAL RELEASE	2015-JUN-11	JDRAY	
DRAWN BY	REV	DESCRIPTION	DATE	APPROVED
PROPOSAL REVISIONS				SHEET 1 OF 2



CLAYTON VOLUNTEER FIRE COMPANY 1 CLAYTON, NJ

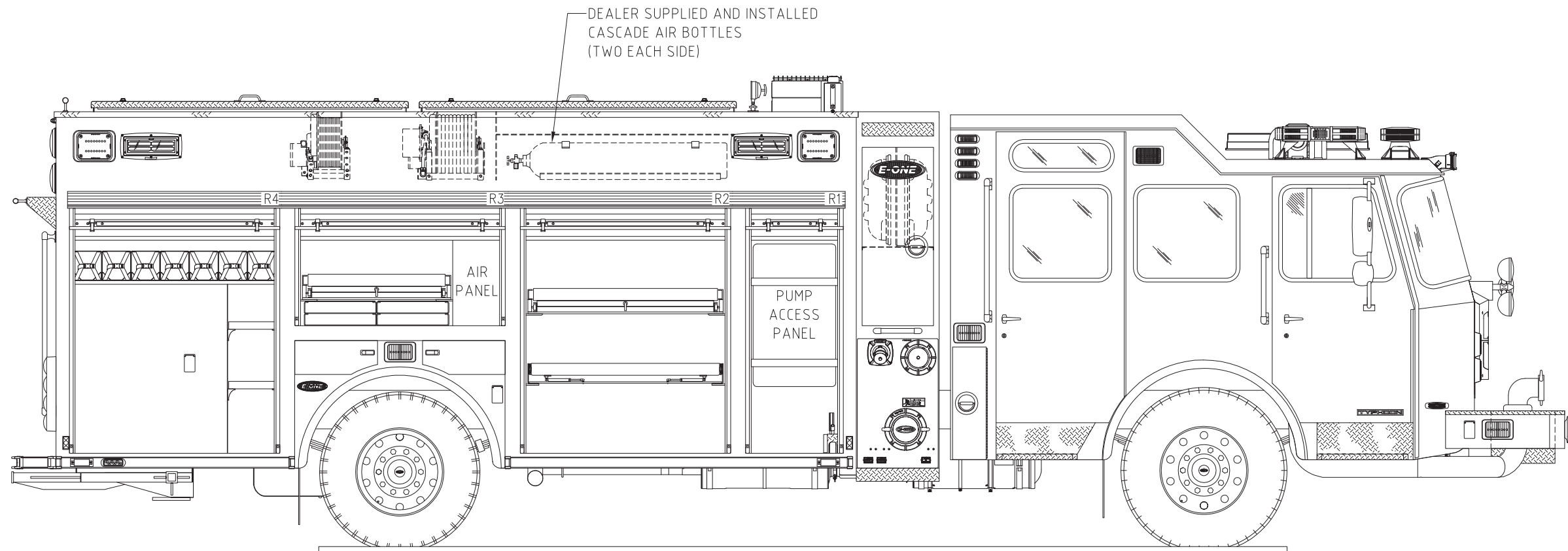
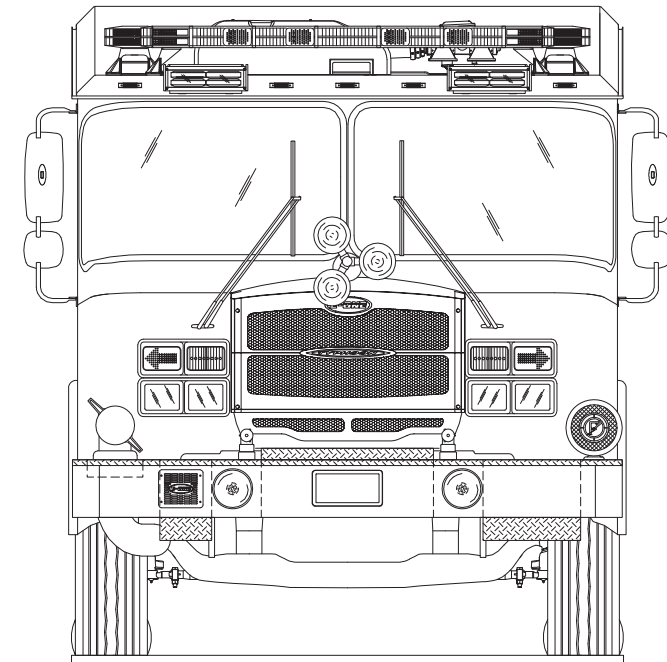
SO.139804

eMAX RESCUE PUMPER
E-ONE TYPHOON X LONG CAB 4X2 CHASSIS

THIS DRAWING IS FOR REFERENCE PURPOSES. ALL DIMENSIONS ARE
SUBJECT TO MINOR VARIATIONS DUE TO MANUFACTURING PROCESSES.

APPROVED FOR PRODUCTION

DESIGNER: J.DRAY DATE: 07-07-2015



REV	DESCRIPTION	DATE	APPROVED	
DGALLAGHER	D	ACTION ITEMS	2015-AUG-24	DGALLAGHER
GACRET	C	ACTION ITEMS	2015-JUL-09	JDRAY
GACRET	B	PIP	2015-JUL-06	JDRAY
DGALLAGHER	A	INITIAL RELEASE	2015-JUN-11	JDRAY
DRAWN BY	REV	DESCRIPTION	DATE	APPROVED
PROPOSAL REVISIONS				SHEET 2 OF 2