

# CENTRAL VOLUNTEER FIRE COMPANY HAWLEY, PA

SO.138155 / Q56286

## TTSA 2030 SM CUSTOM TANKER E-ONE CYCLONE II X LONG CAB 6X4 CHASSIS

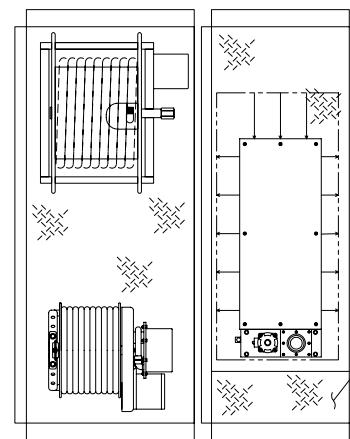
1750 GPM HALE QMAX PUMP 2030 GALLON WATER TANK	HOSE LOAD:	
	350' OF 3.00" DJ	
	1000' OF 5.00" LDH	

COMPT.	OPENING		INTERIOR DIMENSION			
L1/L4	30W	72H	30W	34H	12D	UPPER
			30W	34H	26D	LOWER
L2/L3	51W	34H	51W	34H	12D	
R1/R4	30W	50H	30W	12H	12D	UPPER
			30W	34H	26D	LOWER
R2/R3	51W	12H	51W	12H	12D	

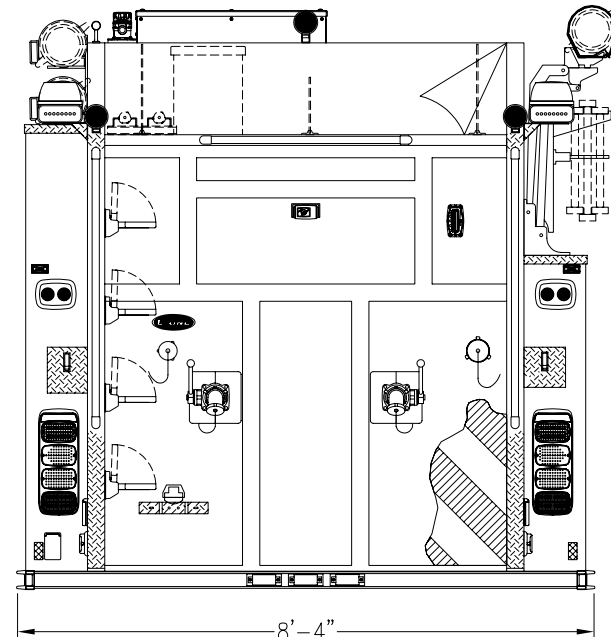
THIS DRAWING IS FOR REFERENCE PURPOSES. ALL DIMENSIONS ARE SUBJECT TO MINOR VARIATIONS DUE TO MANUFACTURING PROCESSES.

**APPROVED FOR PRODUCTION**

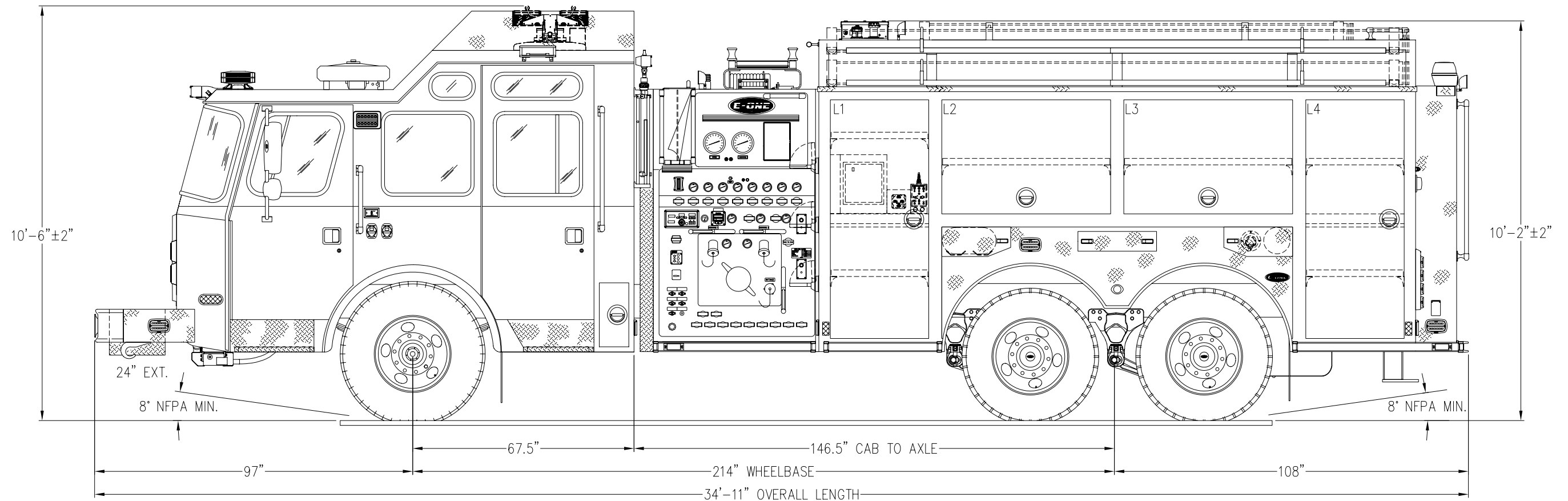
DESIGNER: \_\_\_\_\_ DATE: 2013-JUN-21



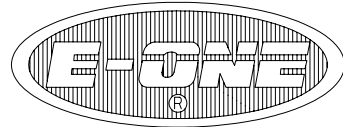
STEP STORAGE PAN FOR HOSEBED DISCHARGES



HOSEBED HEIGHT:  
(FOR REFERENCE ONLY)  
TO TAILBOARD: 76"  
TO GROUND: 100"



ACOPLAND	C	BFP	2013-JUN-21	DC
OF	A	ACTION ITEM	2013-MAY-21	GF
DB	A	INITIAL RELEASE	2013-APR-16	DB
DRAWN BY	REV	DESCRIPTION	DATE	APPROVED
PROPOSAL REVISIONS				SHEET 1 OF 2



# CENTRAL VOLUNTEER FIRE COMPANY HAWLEY, PA

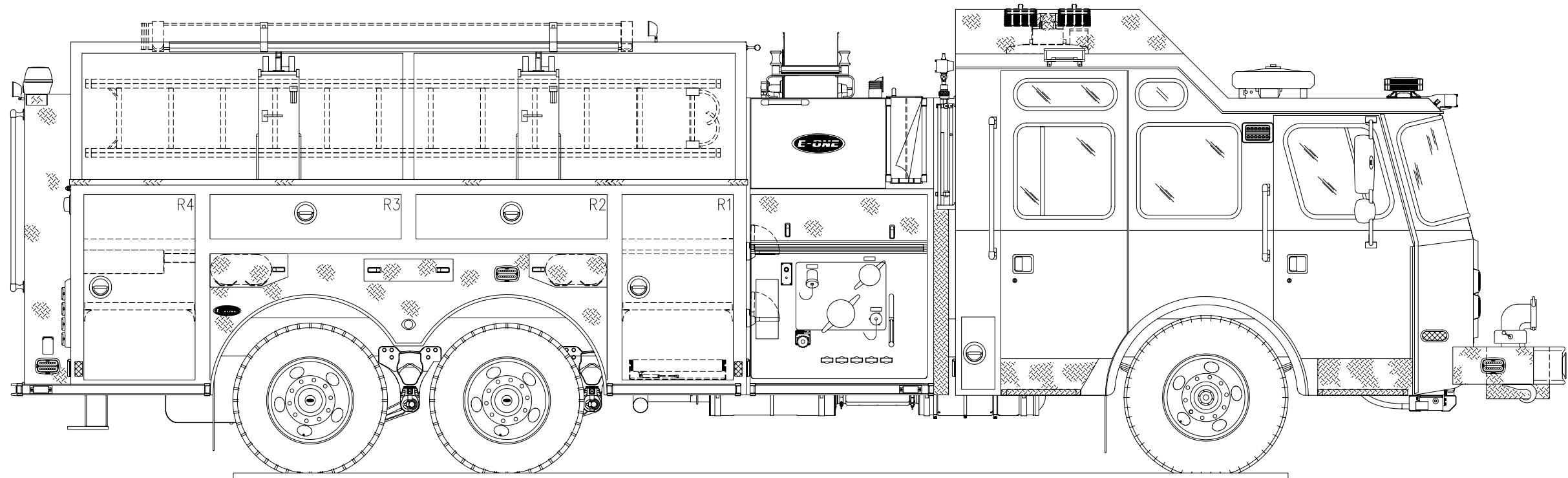
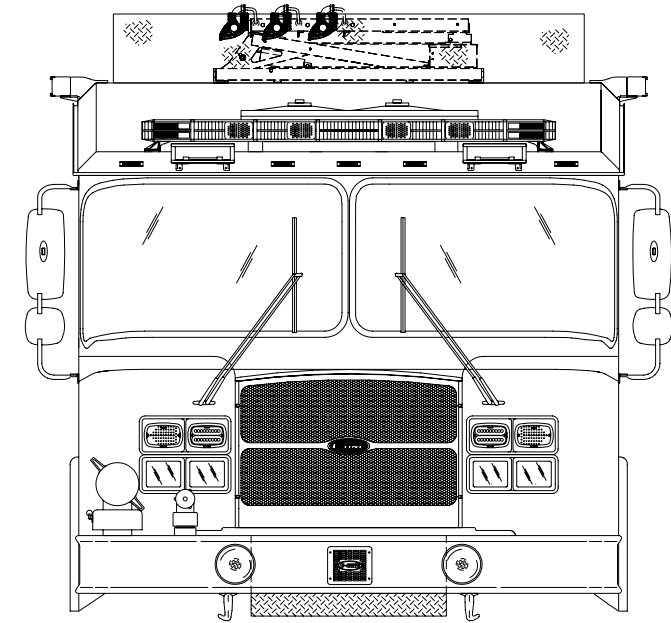
SO.138155 / Q56286

TTSA 2030 SM CUSTOM TANKER  
E-ONE CYCLONE II X LONG CAB 6X4 CHASSIS

THIS DRAWING IS FOR REFERENCE PURPOSES. ALL DIMENSIONS ARE  
SUBJECT TO MINOR VARIATIONS DUE TO MANUFACTURING PROCESSES.

APPROVED FOR PRODUCTION

DESIGNER: \_\_\_\_\_ DATE: 2013-JUN-21



ACOPLAND	C	BFP	2013-JUN-21	DC
GF	A	ACTION ITEM	2013-MAY-21	GF
D.B	A	INITIAL RELEASE	2013-APR-16	D.B
DRAWN BY	REV	DESCRIPTION	DATE	APPROVED
		PROPOSAL REVISIONS		SHEET 2 OF 2